



**TSURUMI PUMP**

**GPN** 3-phase  
50Hz

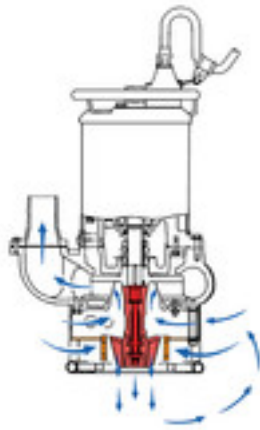
Pump with agitator  
- for professional use

Heavy duty sand pump - a special steel impeller and suction plate have greatly increased the pump's life. The casing is designed to have wide passing area, thorough thickness and anti-abrasion material

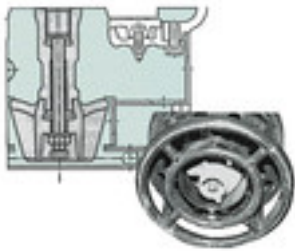


## Forced agitation

The agitator installed on the motor shaft extension forcibly agitates the fluid for easy and efficient transmission of sludge and slurry.

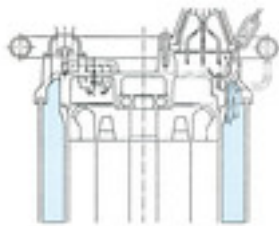


A special-steel impeller and suction plate have greatly increased the pump's life. The casing is designed to have wide passing area, thorough thickness and antiabrasion material. 4-pole motor used to achieve a simple structure that demonstrates excellent durability and versatility. Spiral structure, marvelously facilitates the passage of sand, soil, sludge, or slime - without clogging.



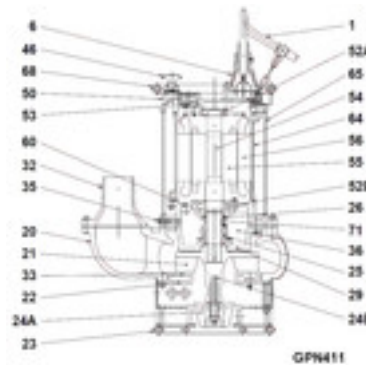
## Water jacket

Inner and outer motor casing - flow-through-design - perfect cooling under dry-run-conditions



## Components:

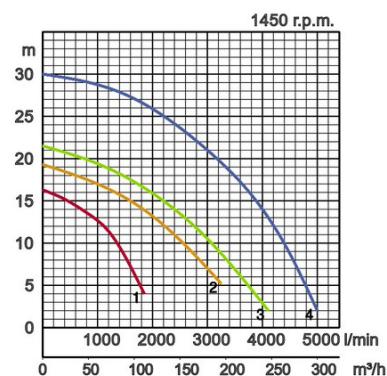
001 Cable	046 Air valve
006 Cable entrance	050 Motor cover
020 Pump casing	052A Upper bearing
021 Impeller	052B Lower bearing
022 Suction plate	053 Motor protector
023 Strainer	054 Shaft
024 Agitator	055 Rotor
025 Mechanical seal	056 Stator
026 Oil sealing	060 Bearing housing
029 Oil casing	064 Motor casing
032. Outlet	065 Jacket
033 Suction plate	068 Handle
035 Oil plug	071 Shaft sleeve
036 Lubricant	



## Specifications:

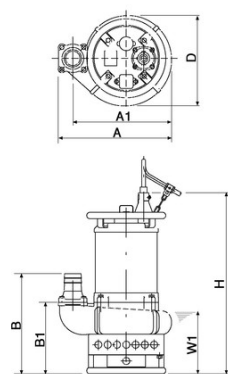
Model	Colour code curve	Bore mm	Motor output kW	Rated current A	Head max. m	Capacity max. l/min	Dry weight kg w/o cable	Max. solid handling ø mm	Max. water depth m	Cable length m
GPN35.5	1	80	5,5	12,1	16,3	1900	145,0	30	20	20
GPN411	2	100	11,0	22,0	19,3	3250	217,0	30	20	20
GPN415	3	100	15,0	25,8	21,5	4110	220,0	30	20	20
GPN622	4	150	22,0	42,5	30,0	5000	415,0	30	20	20

ø Discharge bore mm		80, 100, 150	
Pumping Fluid	Temperature	0-40°C	
	Type of Fluid	Sludge, Slurry, Liquids containing sandy mud and/or bentonite	
Pump	Components	Impeller	Open type impeller
		Shaft Seal	Double mechanical seal
		Bearings	Shielded ball bearings
	Material	Impeller	Chromium iron casting
		Casing	Grey iron casting EN-GJL-200
		Suction Plate	Chromium iron casting
	Shaft Seal	Silicon carbide in oil bath	
Motor	Type, Poles		Induction motor, 4 poles, IP68
	Lubrication		Turbine oil (ISO VG32)
	Motor Protector (built-in)		Circle thermal cut-out
	Insulation		Insulation class E, Insulation class B
	Phase / Voltage		3-phase / 400V / 50Hz / d.o.l.
	Material	Casing	Grey iron casting EN-GJL-150
		Shaft	Chromium-molybdenum steel (DIN 1.7220)
Cable		Rubber, H07RN-F, Rubber, NSSHÖU	
Discharge Connection		Threaded flange/Hose coupling	



## Dimensions in mm:

Model	A	A1	B	B1	D	H	W1
GPN35.5	487	426	448	326	390	796	290
GPN411	617	517	500	347	450	879	315
GPN415	617	618	500	347	451	879	315
GPN622	725	625	528	335	572	1102	300



W1: lowest running water level

In the event of abrasive and corrosive utilization, stronger wear and tear will take place naturally in certain components. In this regard, please pay attention to our website [www.tsurumi.eu/english/applications.htm](http://www.tsurumi.eu/english/applications.htm).