

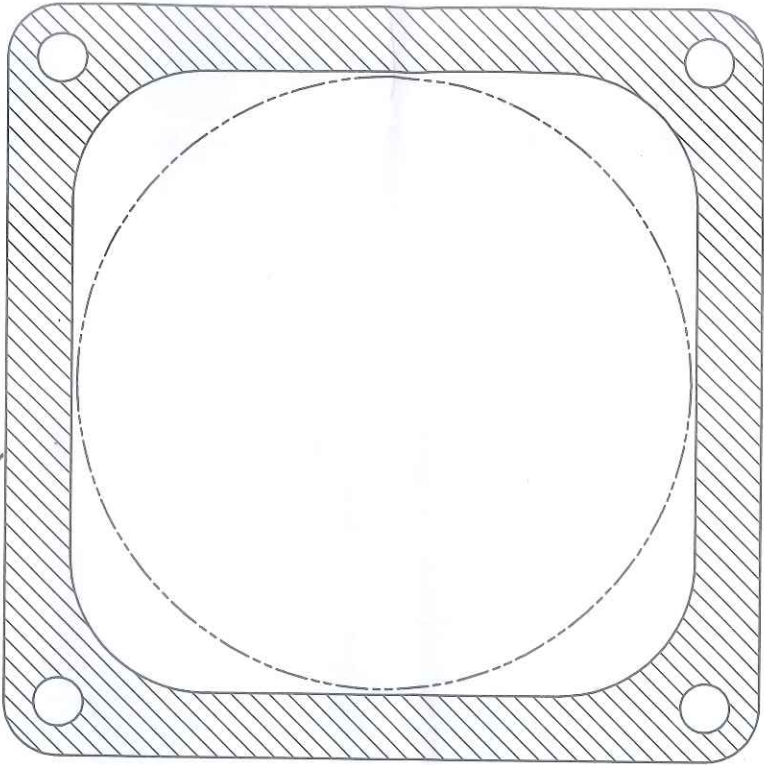
PARTS CONTAINED IN EJECTOR KIT  
ARE NOT RETURNABLE

WHEN ORDERING INDIVIDUAL SPARE PUMP PARTS,  
PLEASE DO NOT USE THE NUMBERS ON THIS SHEET.  
THESE NUMBERS ARE FOR EJECTOR KIT REFERENCE ONLY  
- PLEASE REFER TO THE PARTS BREAKDOWN  
FOR THE UNIT.

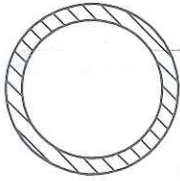
Pos	Qty	PartNo	Description
14	1	23-0586-9923	FILTER
13	1	39-0641-4113	NRV BALL
12	1	23-0412-2011	NRV SEAT
5	1	23-0570-2011	EJECTOR COLLAR
4	1	38-1014-4112	O RING
3	1	38-1013-4112	O RING
2	1	23-0571-2016	EJECTOR NOZZLE
1	1	23-0568-2016	EJECTOR JET

2		CN002898 - Second sheet (Shadow board) added. Sheet 1 reconfigured.	ECO13-024	JCK	11/06/13	DRG. No.	EK07	Shit 1
Iss. Description		ECO No		By	Date	TITLE		of 2
<p><b>godwin</b> a <b>xylem brand</b></p> <p>Xylem Dewatering Solutions Queenington, Cirencester, Gloucestershire GL7 5BX, England. Tel: ++ 44 (0)1285 750271 www.godwinpumps.co.uk</p>		<p>IF IN DOUBT - ASK DO NOT SCALE Graphics: BS8888:2002 Dimensions: mm</p>		<p>Drawn KP Date 24/05/12</p>		<p>EJECTOR KIT</p>		
<p>TOLERANCES ± 3mm (unless otherwise stated)</p> <p>We cannot guarantee dimensions of outside suppliers equipment</p> <p>© 2013</p>		<p>Chk'd Date</p>		<p>Third Angle Projection</p>		<p>Scale 1:1</p>		EP25-27
								A3

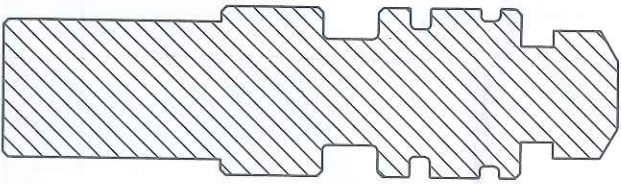
23-0586-9923



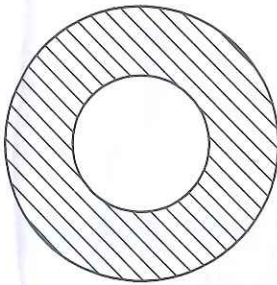
38-1014-4112



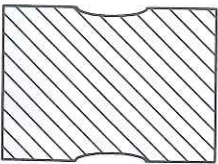
23-0571-2016



39-0641-4113  
23-0412-2011



23-0570-2011



EK07 PARTS DRAWING & LAYOUT

38-1013-4112



23-0568-2016

