

PARTS CONTAINED IN EJECTOR KIT
ARE NOT RETURNABLE

WHEN ORDERING INDIVIDUAL SPARE PUMP PARTS,
PLEASE DO NOT USE THE NUMBERS ON THIS SHEET.
THESE NUMBERS ARE FOR EJECTOR KIT REFERENCE ONLY
- PLEASE REFER TO THE PARTS BREAKDOWN
FOR THE UNIT.

Pos	Qty	Part No.	Description
14	1	23-0586-9923	FILTER
13	1	39-0641-4113	NRV BALL
12	1	23-0412-2011	NRV SEAT
5	1	23-0570-2011	EJECTOR COLLAR
4	1	38-1014-4112	O RING
3	1	38-1013-4112	O RING
2	1	23-0569-2016	EJECTOR NOZZLE
1	1	23-0568-2016	EJECTOR JET

2 CN002898 - Second sheet (Shadow board) added. Sheet 1 reconfigured.

ECO3-024 JCK 26/06/13
ECO No By Date

DRG. No. EJK04
Sht 1 of 2

Xylem Dewatering Solutions
Queerinion, Gloucester,
Gloucestershire GL7 5PX,
England.
Tel: ++ 44 (0)1285 750271
www.godwinpumps.co.uk

TOLERANCES ± 3mm
(unless otherwise stated)
We cannot guarantee dimensions
of outside suppliers equipment

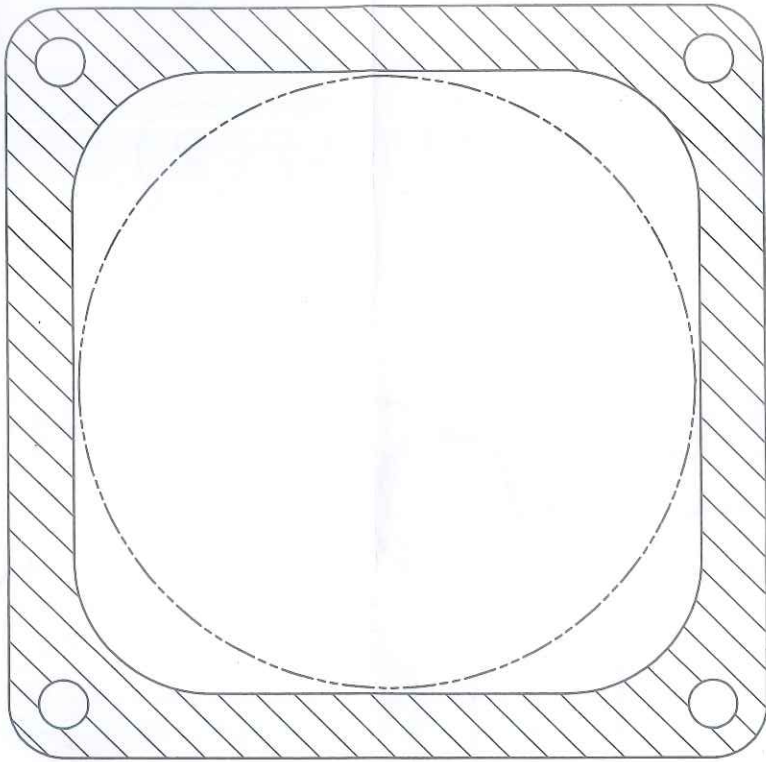
IF IN DOUBT - ASK
DO NOT SCALE
Graphics: BS5888:2002
Dimensions: mm
Third Angle Projection

Drawn KP Date 24/05/12
Chk'd JCK Date 26/06/13
Scale 1:1

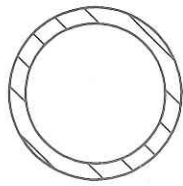
TITLE
EJECTOR KIT
EP25-26/38

A3

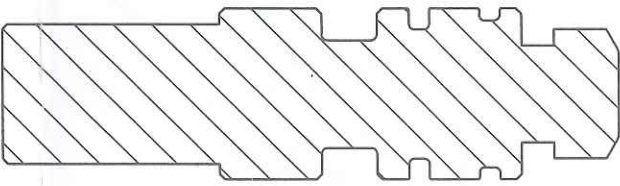
23-0586-9923



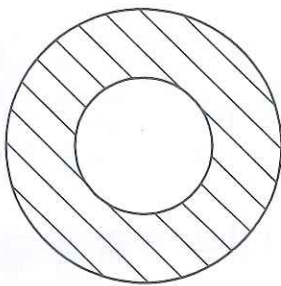
38-1014-4112



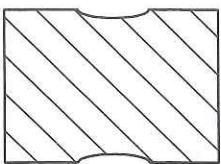
23-0569-2016



39-0641-4113
23-0412-2011



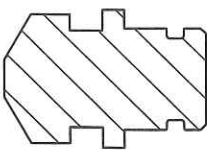
23-0570-2011



38-1013-4112



23-0568-2016



EK04 PARTS DRAWING & LAYOUT