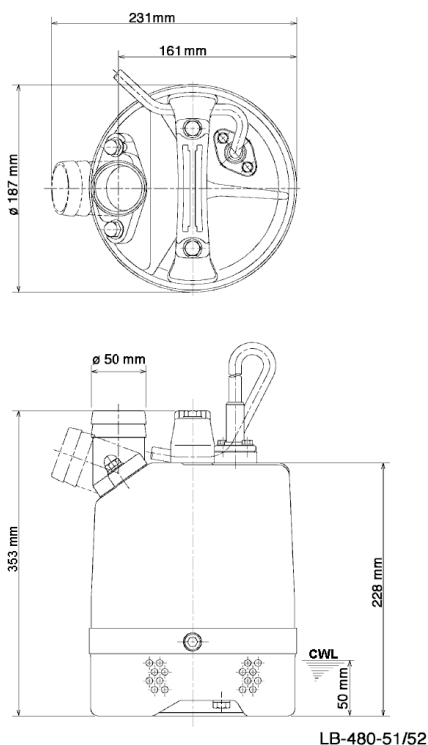
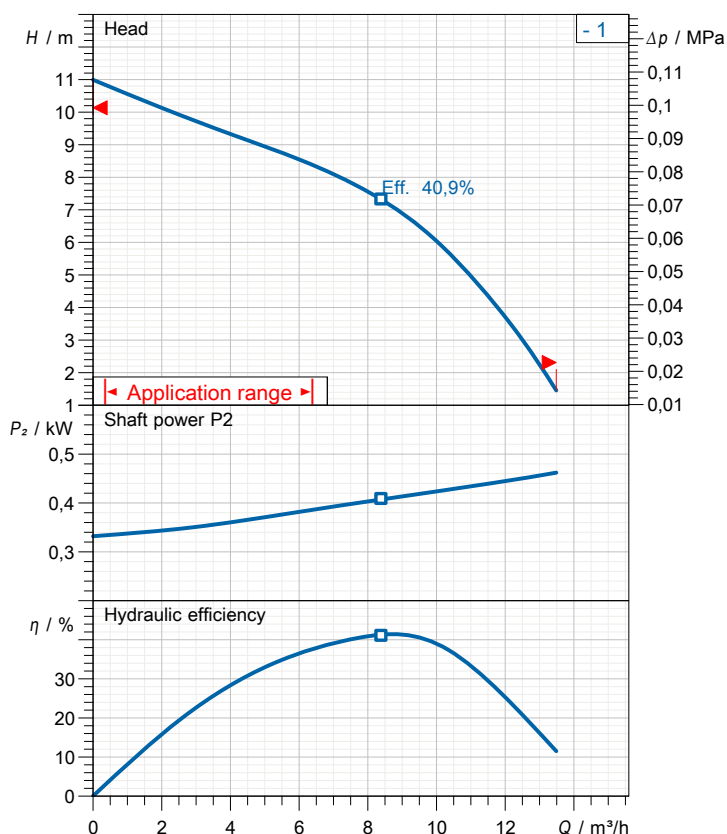


# Data sheet LB-480-51/52



CWL: Continuous running water level



## Specification

Elektrische Tauchpumpe LB-Serie

Degree of protection IP 68  
 Pressure resistance max. 10 m  
 Type of impeller semi-vortex  
 Max. solid handling 6 mm

Suitable for:  
 spring-/rain-/font water, water containing sand

## Electric motor

Dry-type submersible induction motor  
 Insulation class E 2Poles 2610 1/min  
 Starting mode  
 Rated voltage 230 V 50 Hz 1~  
 Power uptake 0,59 kW  
 Rated power 0,48 kW  
 Rated current 2,9 A  
 Start current

## Cable

10m H07RN-F 3Cx1mm<sup>2</sup>

## Motor Protection

Circle thermal protector  
 (snap-action bi-metal device)

## Shaft seal

Double inside mechanical seal in oil bath  
 additional lubrication by oil lifting device  
 Primary seal  
 Silicon carbide on silicon carbide  
 Secondary seal  
 Carbon on ceramic

## Bearings

Shielded ball bearings, maintenance-free

## Materials

Impeller	Urethane rubber
Pump casing	Polypropylene / polyethylene
Motor Frame	Aluminium die casting
Shaft	SUS403 (EN-X6Cr13)

## Discharge size

2" Gewindeanschluß

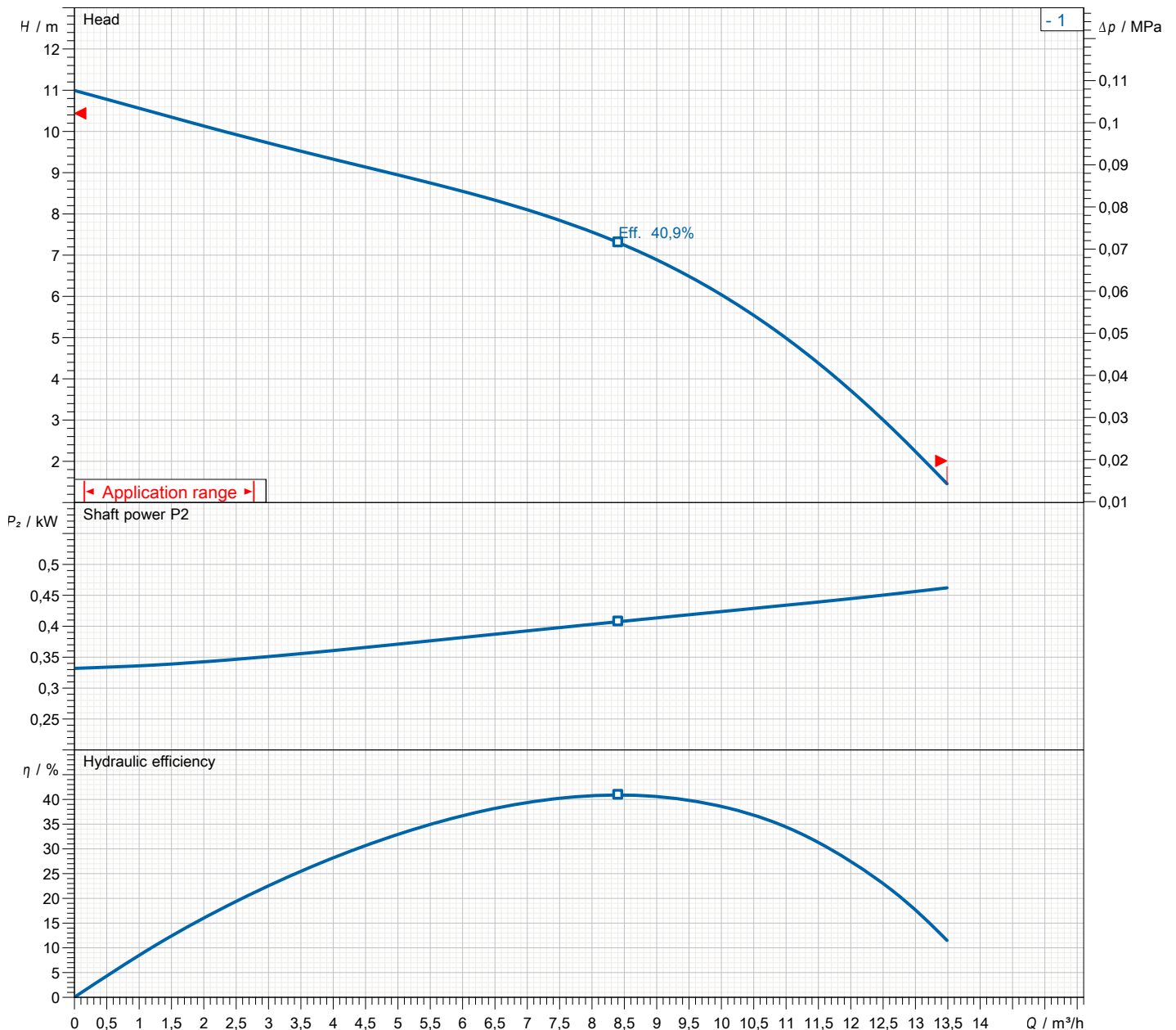
## Weight

10,4 kg (dry weight of the pump only without cable)

# Performance curve

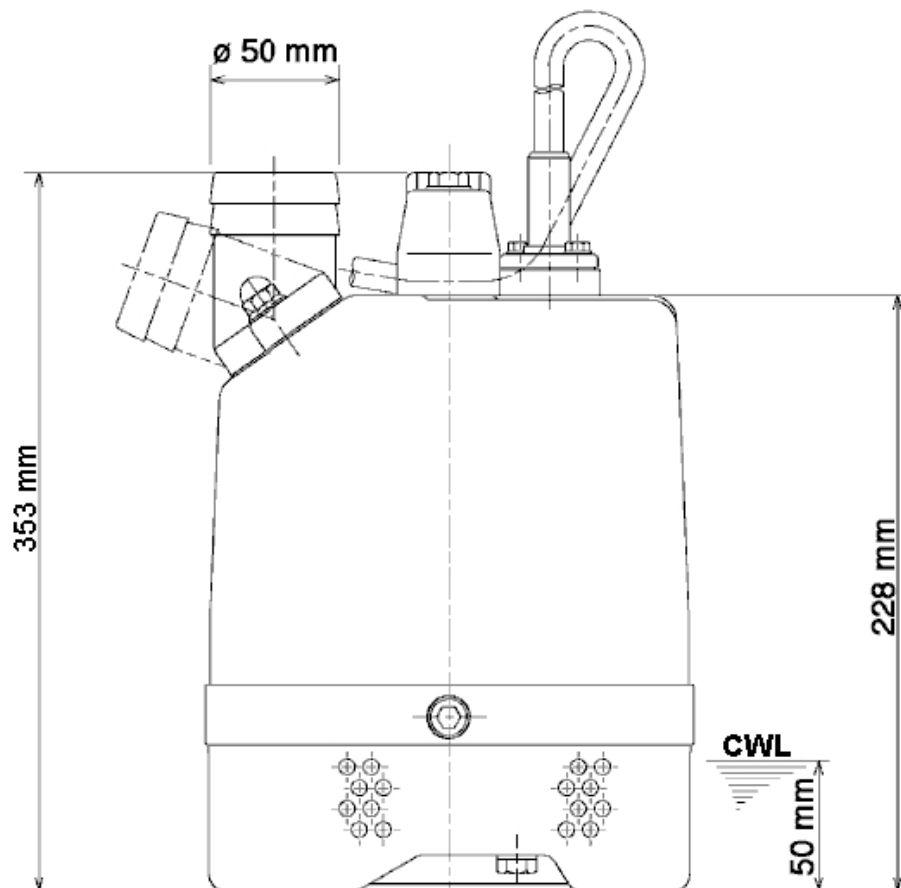
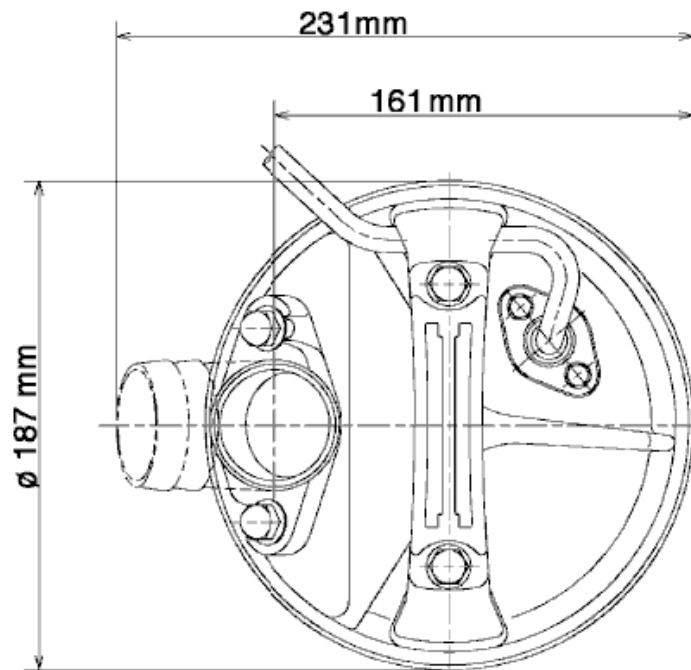
## LB-480-51/52

Discharge port	2"
FördH	11,0 m
Flow	13,5 m³/h
Rated power	0,48 kW
Power input	0,59 kW
Phases	1~
Voltages	230 V
Frequency	50 Hz
Rated current	2,9 A
Starting current	
Number of poles	2
Speed	2610 1/min
Starting mode	
Insulation class	E



# Dimensions

## LB-480-51/52



LB-480-51/52

CWL: Continuous running water level  
LWL: Lowest running water level

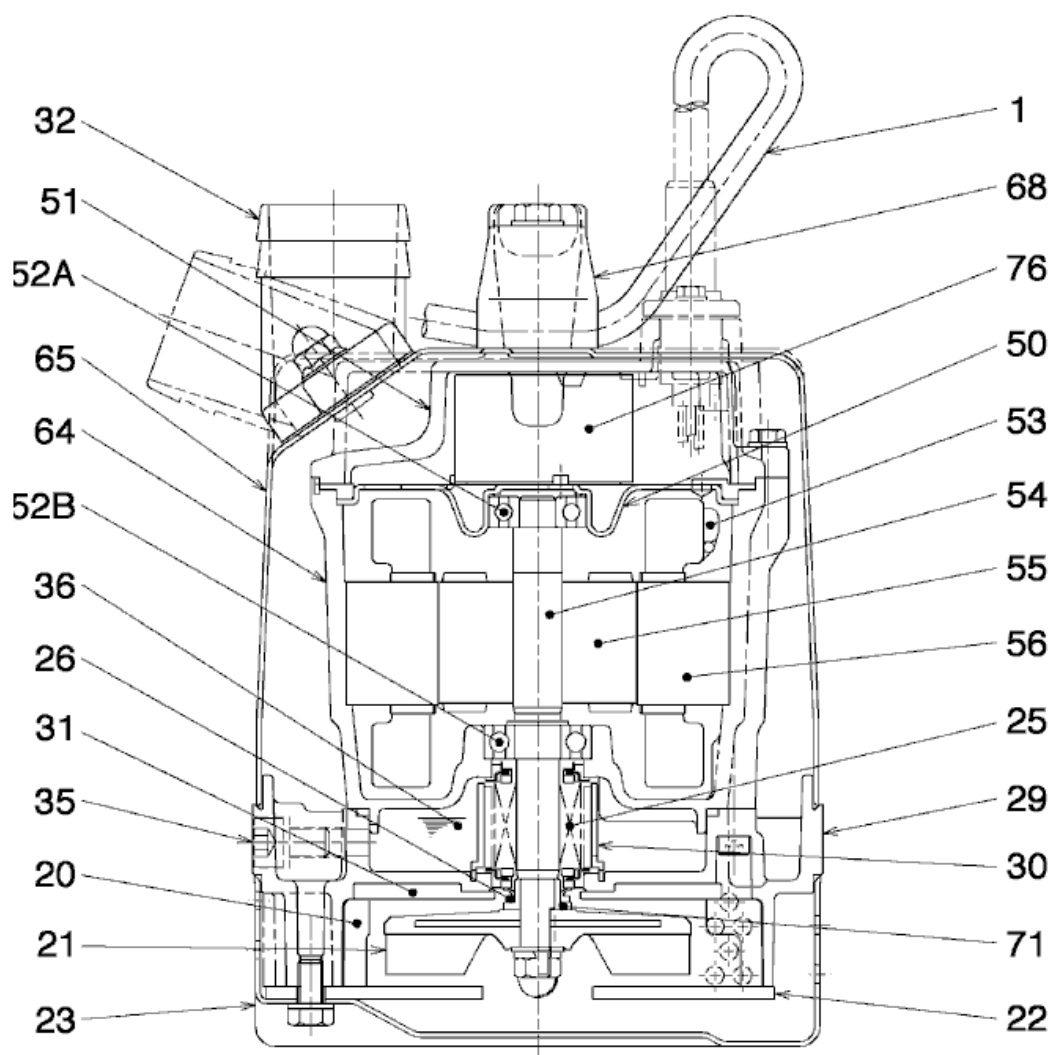
 **TSURUMI PUMP**

Tsurumi Europe GmbH  
17.03.2017 V.19 / 1.10.2016

Wahlerstr. 10 \* 40472 Düsseldorf \* Germany  
Tel.: +49-211-4179373 sales@tsurumi.eu  
Fax: +49-211-417937-480 www.tsurumi.eu

# Sectional drawing

## LB-480-51/52



LB-480-51/52

No.	Description	Remark	No.	Description	Remark
1	Cable	H07RN-F	52B	Lower bearing	6202ZC3
20	Pump casing	Polypropylene / polyethylene	53	Miniature protector	.
21	Impeller	Urethane rubber	54	Shaft	SUS403 (EN-X6Cr13)
22	Suction cover	Steel plate	55	Rotor	.
23	Strainer	Steel plate	56	Stator	.
25	Mechanical seal	W-14VL	64	Motor Frame	Aluminium die casting
26	V-ring	Butadiene-acrylonitrile-rubber	65	Outer Cover	Steel plate
29	Oil casing	Aluminium alloy casting	68	Handle	Steelplate and rubber
30	Oil distributor	Plastic	71	Shaft protection sleeve	SUS304 (EN-X5CrNi18-10)
31	Attrition plate	Polypropylene / polyethylene	76	Condenser	.
32	Discharge coupling	Aluminium die casting			
35	Oil screw	SUS304 (EN-X5CrNi18-10)			
36	Lubricant	Turbine oil (ISO VG32)			
50	Motor cover	Steel plate			
51	Main cover	Aluminium die casting			
52A	Upper bearing	6201ZC3			