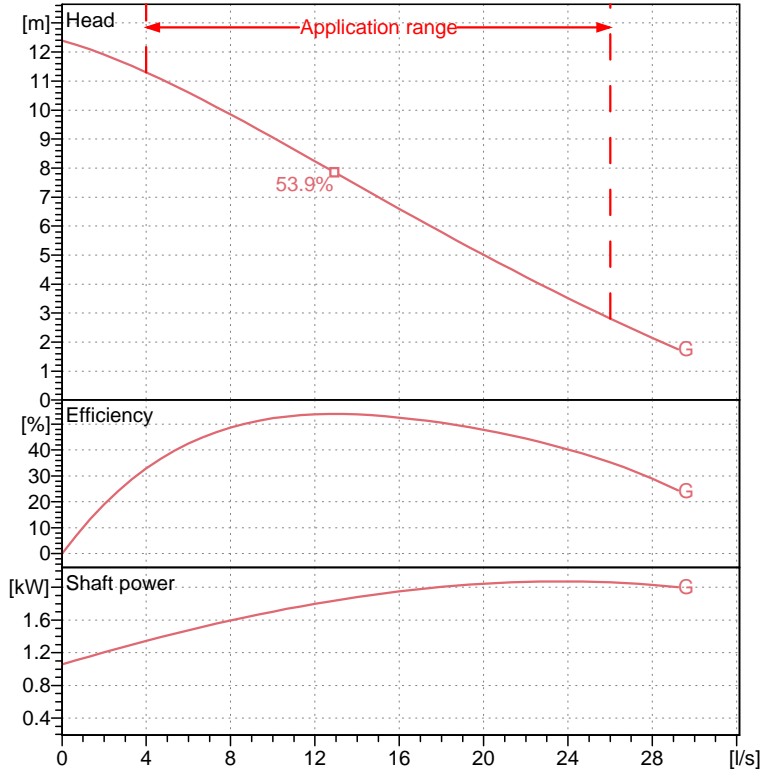


# Product description

| Item                       | Description   | Quant.                             | Unit pr. | Gross price     |   |   |  |               |   |        |              |   |       |          |   |   |           |   |       |                            |   |    |             |   |        |               |   |       |                |   |            |          |   |                                    |          |             |             |
|----------------------------|---|------------------------------------|----------|-----------------|---|---|--|---------------|---|--------|--------------|---|-------|----------|---|---|-----------|---|-------|----------------------------|---|----|-------------|---|--------|---------------|---|-------|----------------|---|------------|----------|---|------------------------------------|----------|-------------|-------------|
| <b>1</b>                   | <b>WASTEWATER PUMP</b>  |                                    |          |                 |   |   |  |               |   |        |              |   |       |          |   |   |           |   |       |                            |   |    |             |   |        |               |   |       |                |   |            |          |   |                                    |          |             |             |
| <b>1.1</b>                 | <p><b>KCW080HG+002241N1</b><br/>                     KCW080HG+002241N1<br/>                     SUBMERSIBLE ELECTRIC PUMP consisting of:</p> <ul style="list-style-type: none"> <li>-pump casing, oil chamber and motor casings in cast iron.</li> <li>-vortex impeller in cast iron keyed on to the shaft by a feather key</li> <li>-shaft, nuts, bolts and oil plugs in stainless steel.</li> <li>-flanged discharge port complete with seal.</li> <li>-double mechanical seal on the shaft, lubricated by the oil contained in the oil chamber:</li> <li>*mechanical seal at pump side in silicon carbide/alumina oxide;</li> <li>*mechanical seal at motor side in graphite/steatite.</li> <li>-motor: asynchronous, threephase, class F insulation, IP68 protection, rotor supported by grease lubricated ball bearings.</li> <li>-protections:</li> <li>*thermal probes connected in series and fitted in the motor winding.</li> <li>*conductivity probe fitted into the oil chamber to detect eventual leakings of pumped fluid.</li> <li>-painting: epoxy coating, approved for use with drinking water.</li> <li>-power cable NSSHÖU-J.</li> </ul> <p>Technical data / Operating data</p> <table style="width: 100%; border: none;"> <tr><td>Q</td><td>:</td><td></td></tr> <tr><td>H</td><td>:</td><td></td></tr> <tr><td>Impeller type</td><td>:</td><td>Vortex</td></tr> <tr><td>Free passage</td><td>:</td><td>80 mm</td></tr> <tr><td>Poles'n°</td><td>:</td><td>4</td></tr> <tr><td>Frequency</td><td>:</td><td>50 Hz</td></tr> <tr><td>Single-phase / Three-phase</td><td>:</td><td>3~</td></tr> <tr><td>Rated power</td><td>:</td><td>2.2 kW</td></tr> <tr><td>Rated voltage</td><td>:</td><td>400 V</td></tr> <tr><td>Discharge size</td><td>:</td><td>DN80 /PN16</td></tr> <tr><td>Mounting</td><td>:</td><td>Permanent submersible installation</td></tr> </table> | Q                                  | :        |                 | H | : |  | Impeller type | : | Vortex | Free passage | : | 80 mm | Poles'n° | : | 4 | Frequency | : | 50 Hz | Single-phase / Three-phase | : | 3~ | Rated power | : | 2.2 kW | Rated voltage | : | 400 V | Discharge size | : | DN80 /PN16 | Mounting | : | Permanent submersible installation | <b>1</b> | <b>0.00</b> | <b>0.00</b> |
| Q                          | :   |                                    |          |                 |   |   |  |               |   |        |              |   |       |          |   |   |           |   |       |                            |   |    |             |   |        |               |   |       |                |   |            |          |   |                                    |          |             |             |
| H                          | :   |                                    |          |                 |   |   |  |               |   |        |              |   |       |          |   |   |           |   |       |                            |   |    |             |   |        |               |   |       |                |   |            |          |   |                                    |          |             |             |
| Impeller type              | :   | Vortex                             |          |                 |   |   |  |               |   |        |              |   |       |          |   |   |           |   |       |                            |   |    |             |   |        |               |   |       |                |   |            |          |   |                                    |          |             |             |
| Free passage               | :   | 80 mm                              |          |                 |   |   |  |               |   |        |              |   |       |          |   |   |           |   |       |                            |   |    |             |   |        |               |   |       |                |   |            |          |   |                                    |          |             |             |
| Poles'n°                   | :   | 4                                  |          |                 |   |   |  |               |   |        |              |   |       |          |   |   |           |   |       |                            |   |    |             |   |        |               |   |       |                |   |            |          |   |                                    |          |             |             |
| Frequency                  | :   | 50 Hz                              |          |                 |   |   |  |               |   |        |              |   |       |          |   |   |           |   |       |                            |   |    |             |   |        |               |   |       |                |   |            |          |   |                                    |          |             |             |
| Single-phase / Three-phase | :   | 3~                                 |          |                 |   |   |  |               |   |        |              |   |       |          |   |   |           |   |       |                            |   |    |             |   |        |               |   |       |                |   |            |          |   |                                    |          |             |             |
| Rated power                | :   | 2.2 kW                             |          |                 |   |   |  |               |   |        |              |   |       |          |   |   |           |   |       |                            |   |    |             |   |        |               |   |       |                |   |            |          |   |                                    |          |             |             |
| Rated voltage              | :   | 400 V                              |          |                 |   |   |  |               |   |        |              |   |       |          |   |   |           |   |       |                            |   |    |             |   |        |               |   |       |                |   |            |          |   |                                    |          |             |             |
| Discharge size             | :   | DN80 /PN16                         |          |                 |   |   |  |               |   |        |              |   |       |          |   |   |           |   |       |                            |   |    |             |   |        |               |   |       |                |   |            |          |   |                                    |          |             |             |
| Mounting                   | :   | Permanent submersible installation |          |                 |   |   |  |               |   |        |              |   |       |          |   |   |           |   |       |                            |   |    |             |   |        |               |   |       |                |   |            |          |   |                                    |          |             |             |
| <b>Subtotal:</b>           |   |                                    |          | <b>0.00</b>     |   |   |  |               |   |        |              |   |       |          |   |   |           |   |       |                            |   |    |             |   |        |               |   |       |                |   |            |          |   |                                    |          |             |             |
| <b>Total net price</b>     |   |                                    |          | <b>0.00 EUR</b> |   |   |  |               |   |        |              |   |       |          |   |   |           |   |       |                            |   |    |             |   |        |               |   |       |                |   |            |          |   |                                    |          |             |             |
| Date<br><b>2019-09-13</b>  | Page<br><b>1</b>  | Offer no.                          |          |                 |   |   |  |               |   |        |              |   |       |          |   |   |           |   |       |                            |   |    |             |   |        |               |   |       |                |   |            |          |   |                                    |          |             |             |

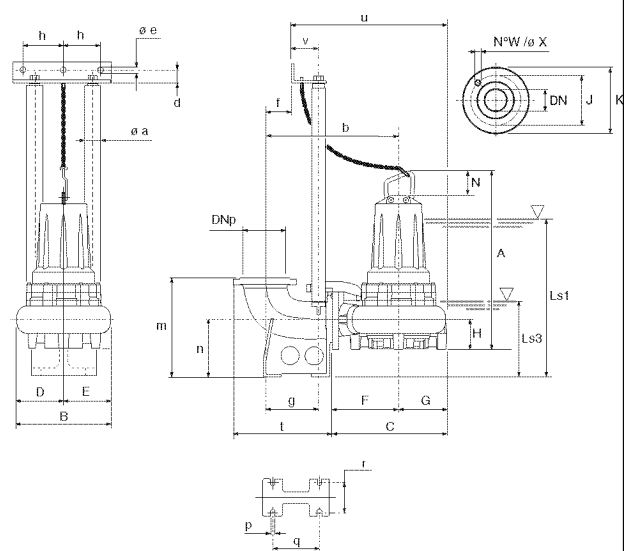
|                                     |  |
|-------------------------------------|--|
| <b>KCW080HG+002241N1</b>            |  |
| <b>Requested data</b>               |  |
| Flow                                | 0 l/s                                  |
| Head                                | 0 m                                    |
| Fluid                               | Clean Water                            |
| Pumpe type                          | Single head pump                       |
| No. of pumps                        | 1                                      |
| <b>Operating pump data</b>          |  |
| Flow                                |  |
| Head                                |  |
| Shaft power                         |  |
| Efficiency                          | %                                      |
| Head H(Q=0)                         | 12.4 m                                 |
| Discharge connection                | 80 mm                                  |
| Installation                        | Permanent subm. installation DN80/PN10 |
| Impeller                            | Vortex                                 |
| Free passage                        | 80 mm                                  |
| <b>Motor data</b>                   |  |
| Frequency                           | 50 Hz                                  |
| Rated voltage                       | 400 V                                  |
| Nominal speed                       | 1450 1/min                             |
| Number of poles                     | 4                                      |
| Rated power P2                      | 2.2 kW                                 |
| Rated current                       | 5.5 A                                  |
| Motor type                          | 3~                                     |
| Insulation class                    | F                                      |
| Degree of protection                | IP 68                                  |
| <b>Operating limits</b>             |  |
| Starts per hour max.                | 20                                     |
| Maximum temperature of pumped fluid | 40 °C                                  |
| Max. Density                        | 998 kg/m <sup>3</sup>                  |
| Max. viscosity                      | 1 mm <sup>2</sup> /s                   |
| <b>General data</b>                 |  |
| Weight                              | 62 kg                                  |



| Operating data |       |        |          |          | ISO 9906 GRADE 2 |
|----------------|-------|--------|----------|----------|------------------|
| Q [l/s]        | H [m] | P [kW] | Eff. [%] | NPSH [m] |                  |
|                |       |        |          |          |                  |

Dimensions mm

A = 577  
a = ø2"  
B = 292  
b = 465  
C = 391  
D = 146  
d = 35  
DN = 80/PN10  
DNp = 80/PN10  
E = 146  
e = ø12,5  
F = 245  
f = 40  
G = 146  
g = 173  
h = 130  
H = 92  
J = 160  
K = 200  
Ls1 = 495  
Ls3 = 275  
m = 320  
n = 180  
N = 80  
øX = 18  
p = 18  
q = 156  
r = 110  
t = 320  
u = 571  
v = 102  
W = 4



| Materials                |                          |
|--------------------------|--------------------------|
| Pump casing              | Grey cast iron           |
| Impeller                 | Grey cast iron           |
| Wear ring                | Steel/rubber             |
| Suction casing           | Grey cast iron           |
| Mech. seal on pump side  | Silicon carbide/Ceramics |
| Oil chamber              | Grey cast iron           |
| Motor casing             | Grey cast iron           |
| Shaft                    | Stainless steel          |
| Thermal probes           | Yes                      |
| Conductivity probe       | Yes                      |
| Mech. seal on motor side | Graphite/Ceramics        |
| Handle                   | Stainless steel          |
| Power supply cable       | 10m                      |
| Screws and nuts          | Stainless steel          |

Remarks:

|                           |                  |           |                      |
|---------------------------|------------------|-----------|----------------------|
| Date<br><b>2019-09-13</b> | Page<br><b>2</b> | Offer no. | Pos.no<br><b>1.1</b> |
|---------------------------|------------------|-----------|----------------------|