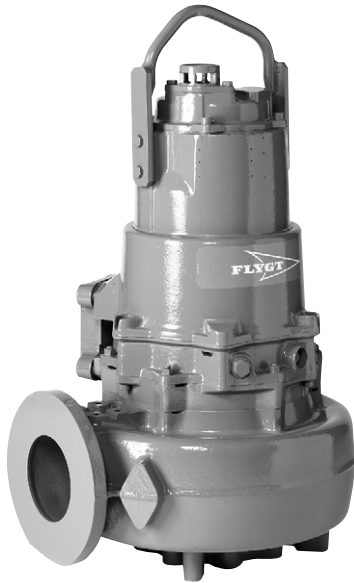


Technical
specification



Submersible pump C 3152, 50 Hz

FLYGT
a xylem brand



C 3152

Product

Submersible pump for pumping clean water, surface water and waste water containing solids or long-fibred material.

Denomination

Product code	3152.181
Installation	P, S, T, Z
Impeller characteristics	LT, MT, HT, SH

Process data

Liquid temperature	max +40 °C
Depth of immersion	max 20 m
The pH of the pumped liquid	pH 5,5-14
Liquid density	max. 1100 kg/m ³
Impeller throughlet	See Motor rating table

Motor data

Frequency	50 Hz
Insulation class	H (+180 °C)
Voltage variation	
- continuously running	max ± 5%
- intermittent running	max ± 10%
Voltage imbalance between phases	max 2%
No. of starts/hour	max 30

Cable

Direct-on-line start

SUBCAB®	4G4+2x1,5 mm ²
	4G6+2x1,5 mm ²
	4G10+2x1,5 mm ²

Y/D start

SUBCAB®	7G2,5+2x1,5 mm ²
---------	-----------------------------

7G4+2x1,5 mm²

7G6+2x1,5 mm²

Monitoring equipment

Thermal contacts opening temperature 125 °C

Material

Impeller	Cast iron
Pump housing	Cast iron
Stator housing	Cast iron
Shaft	Stainless steel
O-rings	Nitrile rubber

Mechanical face seals

Alternative	Inner seal	Outer seal
1	Corrosion resistant cemented carbide/ Carbon	Corrosion resistant cemented carbide/ Corrosion resistant cemented carbide
2	Corrosion resistant cemented carbide/ Corrosion resistant cemented carbide	Corrosion resistant cemented carbide/ Corrosion resistant cemented carbide

Surface Treatment

All cast parts are primed with a water-borne primer. The finishing coat is a high-solid two pack paint.

Weight

See dimensional drawing.

Option

3152.091	Ex. proof design
Warm liquid version on request	
Leakage sensor in stator housing	FLS
Leakage sensor in oil housing	CLS
Surface treatment	Epoxy treatment

Other cables

Zinc anodes

Accessories

Discharge connections, adapters, hose connections and other mechanical accessories.

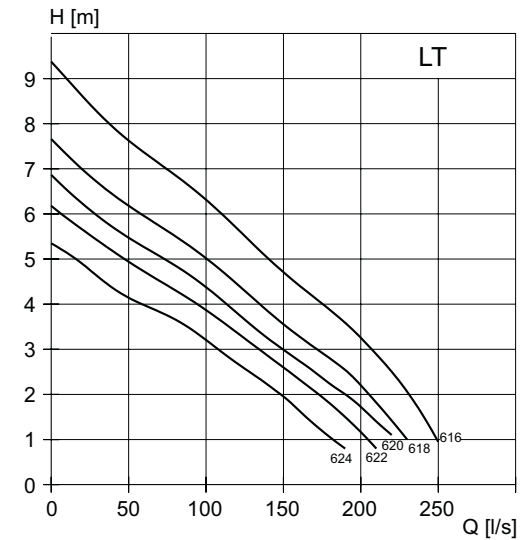
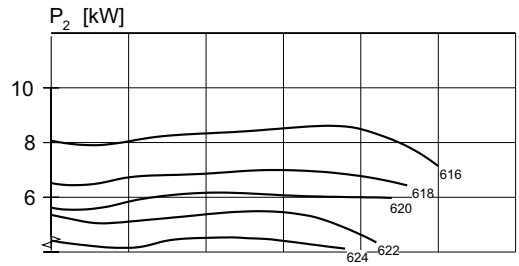
Electrical accessories such as pump controller, control panels, starters, monitoring relays, cables.

See separate booklet for further information.

LT-Motor rating and performance curve

Curve/Impeller No	Rated power, kW	Rated current, A	Starting current, A	Power factor cos φ	Impeller throatlet, mm	Ex proof version available	Installation			
							P	S	T	Z
400 V, 50 Hz, 3 ~, 955 r/min										
616	8,8	18	87	0,87	102	•	•	•	•	•
618	8,8	18	87	0,87	102	•	•	•	•	•
620	8,8	18	87	0,87	102	•	•	•	•	•
622	8,8	18	87	0,87	102	•	•	•	•	•
624	8,8	18	87	0,87	102	•	•	•	•	•
230 V, 50 Hz, 3 ~, 955 r/min										
616	8,8	31	156	0,86	102	•	•	•	•	•
618	8,8	31	156	0,86	102	•	•	•	•	•
620	8,8	31	156	0,86	102	•	•	•	•	•
622	8,8	31	156	0,86	102	•	•	•	•	•
624	8,8	31	156	0,86	102	•	•	•	•	•

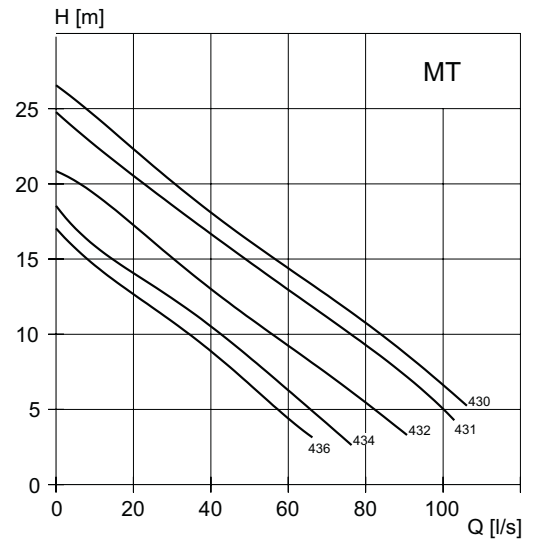
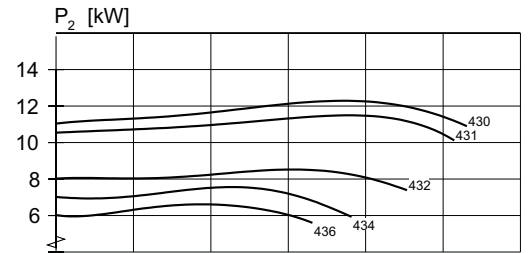
Y/D starting current is approximately 1/3 of D starting current.



MT-Motor rating and performance curve

Curve/Impeller No	Rated power, kW	Rated current, A	Starting current, A	Power factor cos φ	Impeller thoughtlet, mm	Ex proof version available	Installation			
							P	S	T	Z
400 V, 50 Hz, 3 ~, 1455 r/min										
432	9,0	19	116	0,81	100	•	•	•	•	•
434	9,0	19	116	0,81	100	•	•	•	•	•
436	9,0	19	116	0,81	93	•	•	•	•	•
400 V, 50 Hz, 3 ~, 1450 r/min										
430	13,5	27	162	0,83	100	•	•	•	•	•
431	13,5	27	162	0,83	100	•	•	•	•	•
432	13,5	27	162	0,83	100	•	•	•	•	•
434	13,5	27	162	0,83	100	•	•	•	•	•
436	13,5	27	162	0,83	93	•	•	•	•	•
230 V, 50 Hz, 3 ~, 1455 r/min										
432	9,0	33	198	0,81	100	•	•	•	•	•
434	9,0	33	198	0,81	100	•	•	•	•	•
436	9,0	33	198	0,81	93	•	•	•	•	•
230 V, 50 Hz, 3 ~, 1450 r/min										
430	13,5	77	270	0,84	100	•	•	•	•	•
431	13,5	77	270	0,84	100	•	•	•	•	•
432	13,5	77	270	0,84	100	•	•	•	•	•
434	13,5	77	270	0,84	100	•	•	•	•	•
436	13,5	77	270	0,84	93	•	•	•	•	•

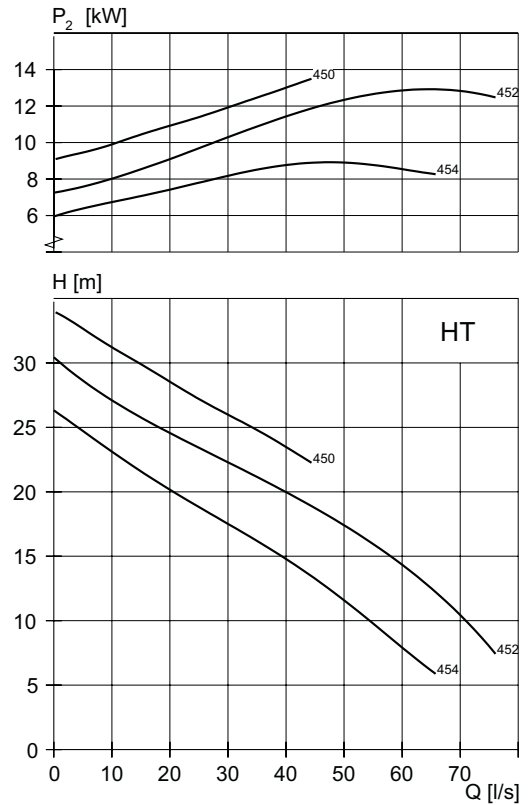
Y/D starting current is approximately 1/3 of D starting current.



HT-Motor rating and performance curve

Curve/Impeller No	Rated power, kW	Rated current, A	Starting current, A	Power factor cos φ	Impeller thoughtlet, mm	Ex proof version available	Installation			
							P	S	T	Z
400 V, 50 Hz, 3 ~, 1455 r/min										
454	9,0	19	116	0,81	76	•	•	•	•	•
400 V, 50 Hz, 3 ~, 1450 r/min										
450	13,5	27	162	0,83	76	•	•	•	•	•
452	13,5	27	162	0,83	76	•	•	•	•	•
454	13,5	27	162	0,83	76	•	•	•	•	•
230 V, 50 Hz, 3 ~, 1455 r/min										
454	9,0	33	198	0,81	76	•	•	•	•	•
230V, 50 Hz, 3 ~, 1450 r/min										
450	13,5	47	270	0,84	76	•	•	•	•	•
452	13,5	47	270	0,84	76	•	•	•	•	•
454	13,5	47	270	0,84	76	•	•	•	•	•

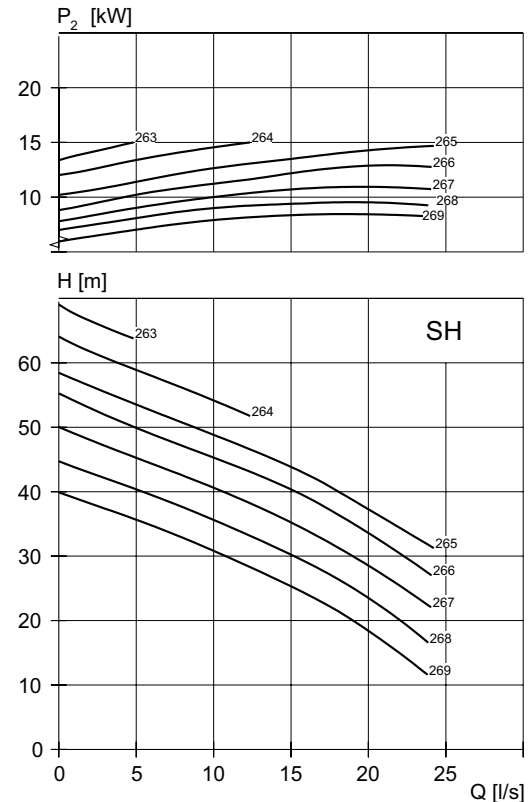
Y/D starting current is approximately 1/3 of D starting current.



SH-Motor rating and performance curve

Curve/Impeller No	Rated power, kW	Rated current, A	Starting current, A	Power factor cos φ	Impeller thoughtlet, mm	Ex proof version available	Installation			
							P	S	T	Z
400 V, 50 Hz, 3 ~, 2920 r/min										
263	15	28	229	0,89	40	•	•	•	•	•
264	15	28	229	0,89	40	•	•	•	•	•
265	15	28	229	0,89	40	•	•	•	•	•
266	15	28	229	0,89	40	•	•	•	•	•
267	15	28	229	0,89	40	•	•	•	•	•
268	15	28	229	0,89	40	•	•	•	•	•
269	15	28	229	0,89	40	•	•	•	•	•
230 V, 50 Hz, 3 ~, 2915 r/min										
263	15	47	375	0,90	40	•	•	•	•	•
264	15	47	375	0,90	40	•	•	•	•	•
265	15	47	375	0,90	40	•	•	•	•	•
266	15	47	375	0,90	40	•	•	•	•	•
267	15	47	375	0,90	40	•	•	•	•	•
268	15	47	375	0,90	40	•	•	•	•	•
269	15	47	375	0,90	40	•	•	•	•	•

Y/D starting current is approximately 1/3 of D starting current.



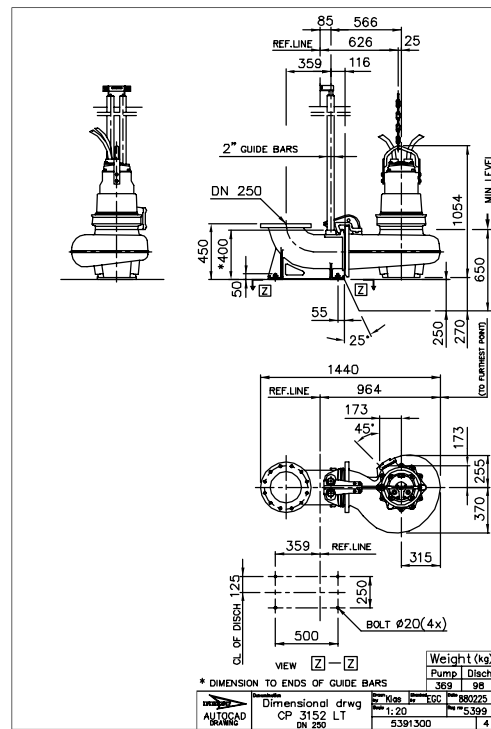
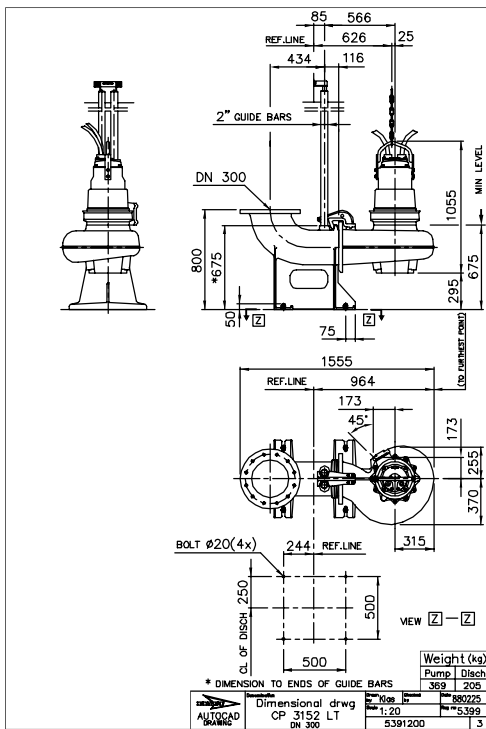
Dimensional drawing

All drawings are available as Acrobat documents (.pdf) and AutoCad drawings (.dwg). Download the drawings from www.xyleminc.com or contact your Xylem representative for more information.

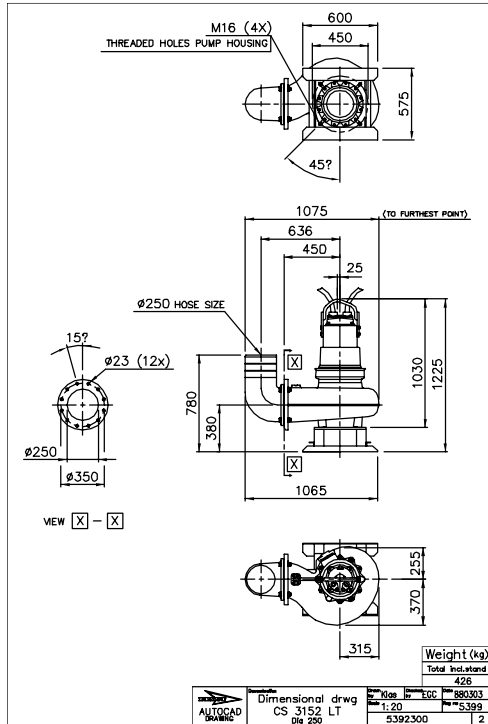
All dimensions are in mm.

LT, P-installation

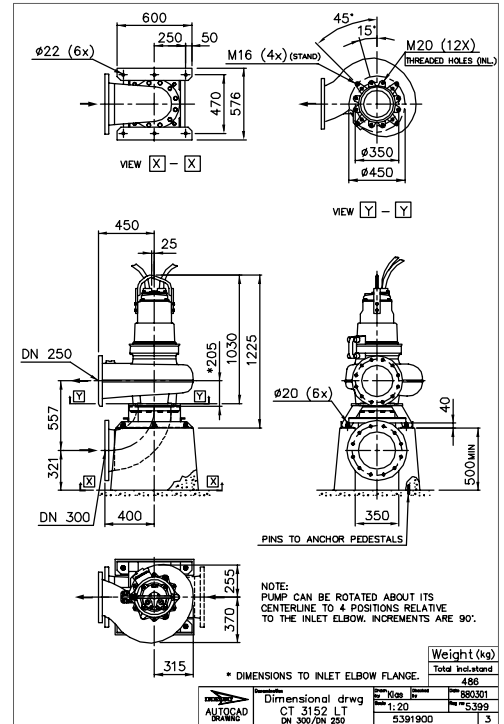
LT, P-installation



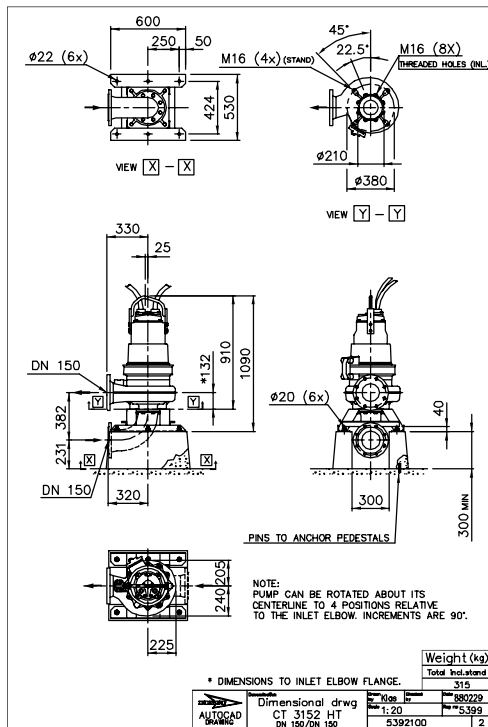
LT, S-installation



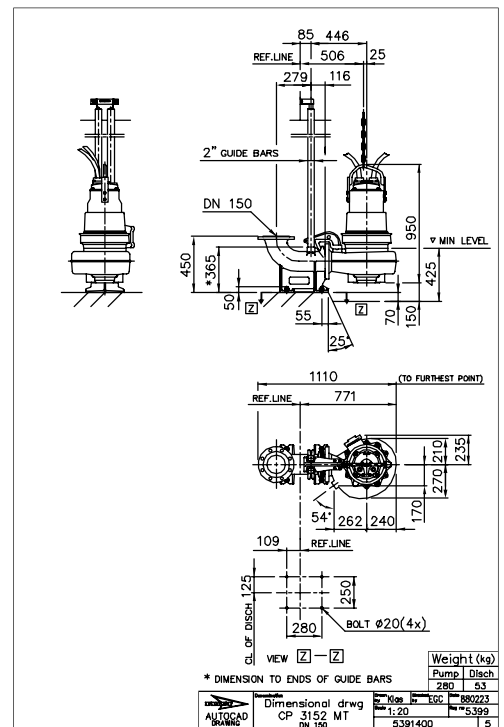
LT, T-installation



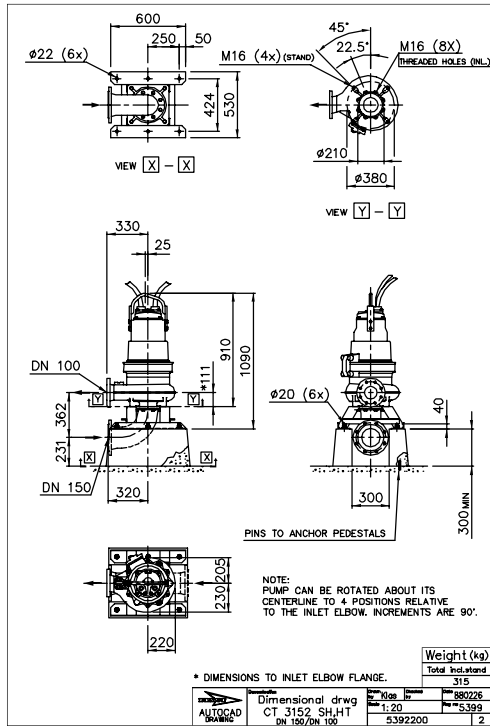
HT, T-installation



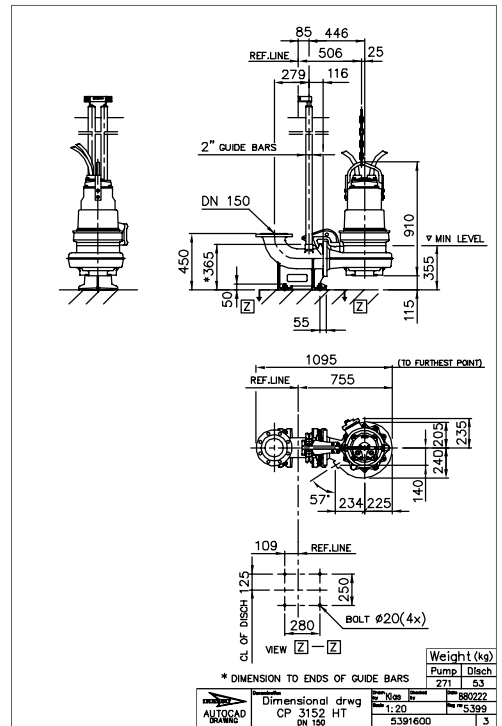
MT, P-installation



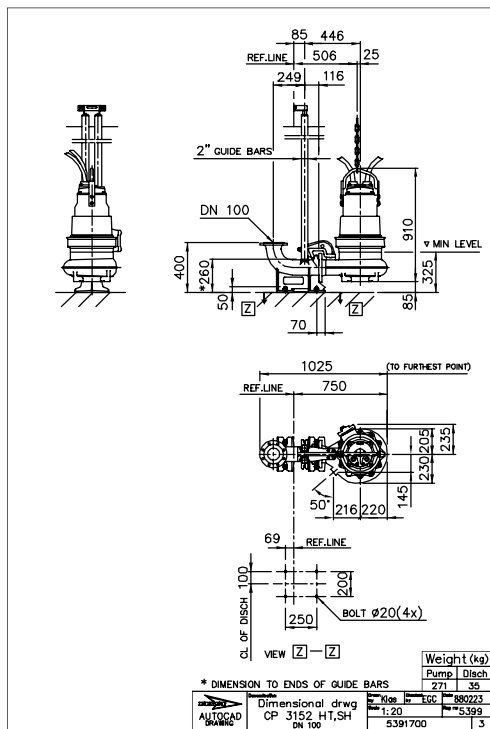
HT-SH, T-installation



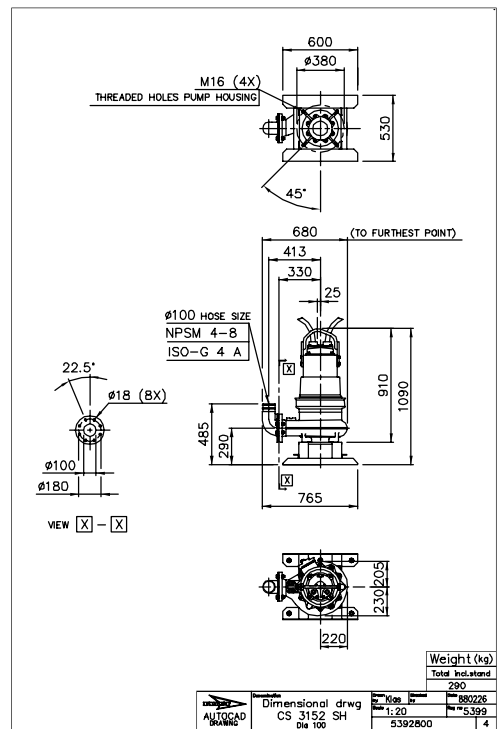
HT, P-installation



HT-SH, P-installation

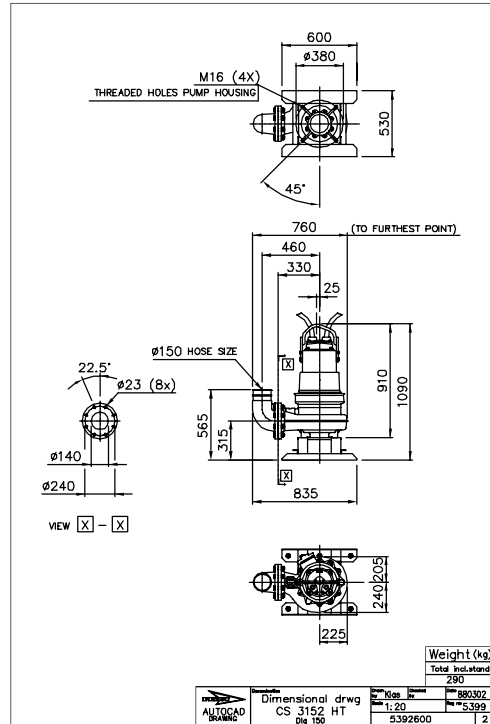
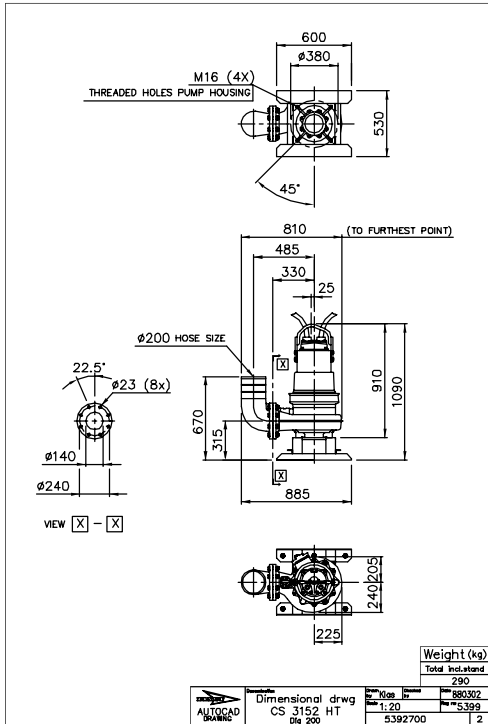


HT-SH, S-installation



HT, S-installation

HT, S-installation



Xylem |'zīləm|

- 1) The tissue in plants that brings water upward from the roots
- 2) A leading global water technology company

We're 12,000 people unified in a common purpose: creating innovative solutions to meet our world's water needs. Developing new technologies that will improve the way water is used, conserved, and re-used in the future is central to our work. We move, treat, analyze, and return water to the environment, and we help people use water efficiently, in their homes, buildings, factories and farms. In more than 150 countries, we have strong, long-standing relationships with customers who know us for our powerful combination of leading product brands and applications expertise, backed by a legacy of innovation.

For more information on how Xylem can help you, go to xylem.com



Xylem Water Solutions AB
Gesällvägen 33
174 87 Sundbyberg
Sweden
Tel. +46-8-475 60 00
Fax +46-8-475 69 00
<http://tpi.xylem.com>

Visit our Web site for the latest version of this document and more information

The original instruction is in English. All non-English instructions are translations of the original instruction.

© 2011 Xylem Inc