

Xylem Water Solutions AB (the Company) was previously named ITT Water & Wastewater AB. The name change took place in November 2011. This is document is (i) a document that relates to a product of the Company phased out prior to the name change; or (ii) an old version of documentation relating to a product that is still being produced by the Company but which document was published prior to the 1st of January 2012 . This document may therefore still be marked "ITT". Xylem Water Solutions AB is no longer an ITT company and the fact that "ITT" may appear on this document shall not be interpreted as a reference by the Company to "ITT" in the Company's current business activities. Any use or reference to "ITT" by you is strictly prohibited. In no event will we be liable for any incidental, indirect, consequential, punitive or special damages of any kind, or any other damages whatsoever, including, without limitation, those resulting from loss of profit, loss of contracts, loss of reputation, goodwill, data, information, income, anticipated savings or business relationships for any use by you of "ITT". This disclaimer notice shall be interpreted and governed by Swedish law, and any disputes in relation to it are subject to the jurisdiction of the courts in Sweden. If you do not agree to these terms and conditions you should not print this document and immediately stop accessing it.

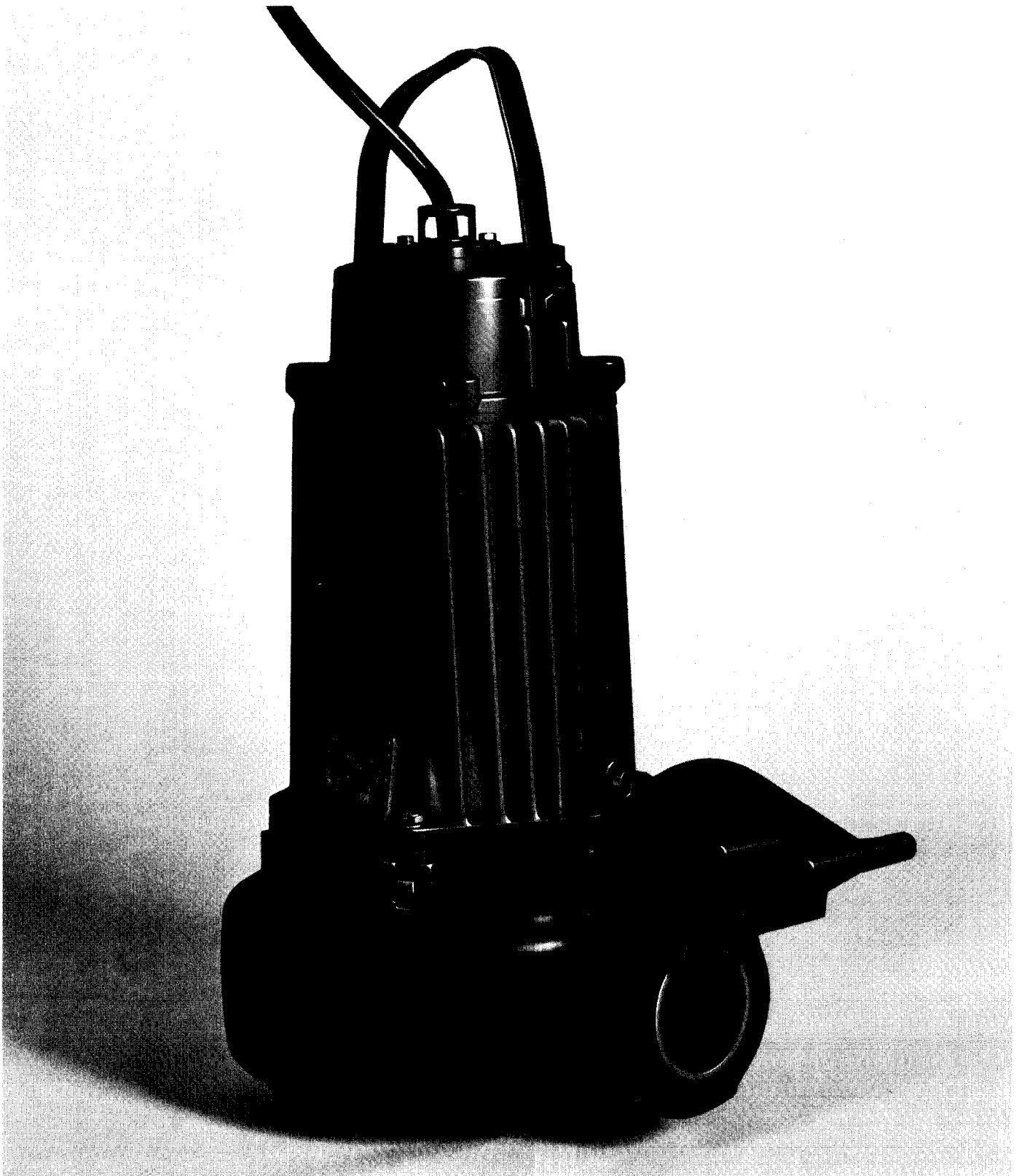
End of Disclaimer text.

DP 3101, 3126, 3152

Torque flow impeller pumps



Technical information



DP 3101, 3126, 3152 Technical information

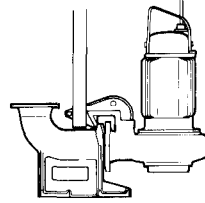
Flygt's new series of torque flow impeller pumps, DP 3101, 3126 and 3152, with capacities from 10 l/s up to 60 l/s offers an additional alternative to Flygt's range of submersible waste water pumps.

This new series of submersible torque flow impeller pumps with a throughlet of dia. 100 mm, are specially designed for pumping of liquids containing solid particles or liquids that often cause clogging.

The electric motor and the pump comprise a compact and robust unit which requires little space and is easy to handle.

Installation

As the pump is submersible and compact it is easy to install.

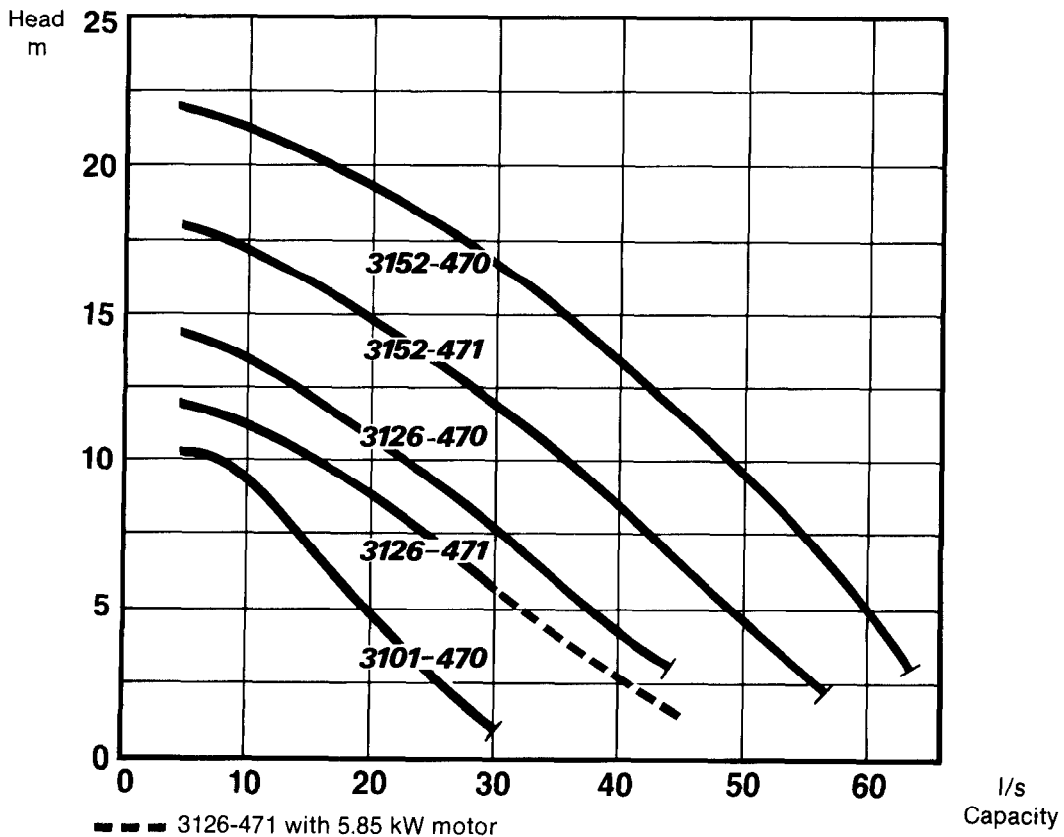
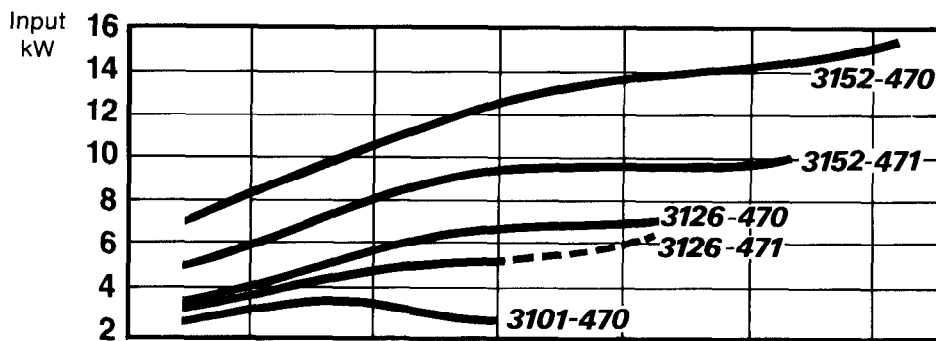


For permanent installation, a system with guide bar and discharge connection fixed to the bottom of the sump or pumpwell is used. When the pump is lowered, it automatically connects up to the discharge line via the flange on the pump housing and the matching flange on the discharge connection.

The pump can easily be lifted up for inspection without anyone having to climb down into the sump.

The pump works completely or partially submerged under water.

Capacity chart



Technical data

Pump type	Impeller	Motor: Squirrel-cage, 3-phase AC motor Insulation class F, 50 Hz							Power cable*			
		Rated output			Rated current				Direct on-line start			
		kW	(hp)	rev/min	220V	380V	415V	500V	220–500 V			
DP 3101	470	3.1	4.2	1440	12 A	7 A	6.4 A	5.3 A	4×2.5 mm ²			
DP 3126	470	5.85	8.0	1450	21 A	12 A	11 A	9 A	4×2.5 mm ²			
DP 3126	471	4.7	6.4	1450	18 A	10 A	9.3 A	7.8 A	4×2.5 mm ²			
									Direct on-line start		Star-delta start	
									220V	380–500V	220V	380–500V
DP 3152	470	13.5	18.0	1450	48 A	27.5 A	25 A	21 A	4×10 mm ²	4×6 mm ²	4×6 mm ²	4×4 mm ²
DP 3152	471	9.0	12.0	1450	34 A	20 A	18 A	15 A	4×6 mm ²	4×4 mm ²	4×6 mm ²	4×2.5 mm ²

*For details of local cable requirements contact your local Flygt agent.

Weights in kg

Pump type	Pump unit	Discharge connection
DP 3101	110	35
DP 3126	164	35
DP 3152	275	35

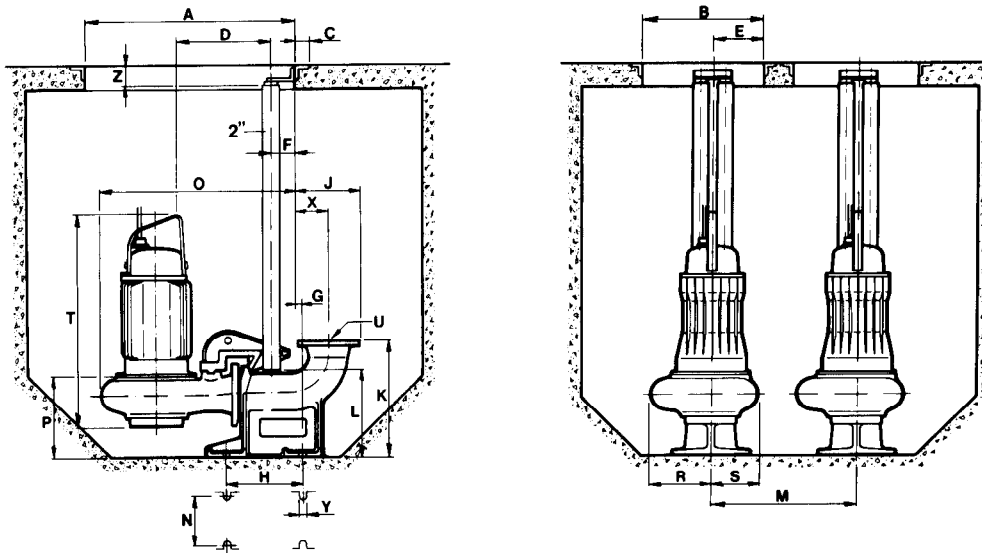
Material

Cast parts	Cast iron	BS 1452 Grade 14	DIN 1691 GG 20
Shaft, DP 3101/3126 DP 3152	Stainless steel Stainless steel Carbon steel	43 S 29 970 En 5 C	17440 X22CrNi 17 17200 C 35
Studs, nuts, screws and washers	Stainless steel	304 S 15	17440 X5CrNi 18/9
Lifting handle	Galvanized steel	970 En 3	17100 St 37
O-ring	Nitrile rubber (70 ° IRH)	Grade 704	
Mechanical shaft seals – upper – lower	Graphite/carbide Carbide/carbide		
Surface treatment The outer casing is primed with PVC Epoxy and then painted with black chloric rubber paint.			

Range of application

- The DP-pumps can pump liquids at temperatures up to 40 °C. For details of local cable requirements contact your local Flygt agent.
- The pumps can be submerged down to 20 m below the surface of the liquid.
- The pump section, including seals, is designed for working pressures of up to 0.6 MPa for 3101 and 0.8 MPa for 3126/3152.
- The motors are designed to supply their rated outputs at deviations of up to ±5% of the rated frequency and voltage. Voltage variations of up to ±10% are possible without overheating.
- The pumps can be started up to 15 times per hour.
- Starting methods: Direct on-line start or star-delta start.

Dimensions in mm



Pump type	A	B	C	D	E	F	G	H	J	K	L	M ^{min. dim.}
DP 3101	780	570	50	312	262	85	69	250	279	400	258	670
DP 3126	780	570	50	356	262	85	69	250	279	400	258	670
DP 3152	1200	850	50	361	425	85	69	250	279	400	258	950

Pump type	N	O	P	R	S	T	U*	X	Y	Z
DP 3101	200	619	250	168	168	785	dia.100	164	23	70
DP 3126	200	676	250	205	205	880	dia.100	164	23	70
DP 3152	200	676	250	205	205	1045	dia.100	164	23	130

*=Flange connection drilled to BS 4622:1970 table 11 or DIN 2533.

The manufacturers reserve the right to alter performance, specification or design without notice.

