

Qty. Description

1 PM 2



Note! Product picture may differ from actual product

Product No.: [96848738](#)

Grundfos PM2 pressure manager is an electronic pressure manager primarily for controlling Grundfos pumps, but it can also be used for other water supply pumps.

The pressure manager offers an adjustable start from 1.5 to 5 bar, allowing for adaptation to the individual installation.

The installation can be done either vertically, horizontally, or at an angle, if the space is confined.

The display can be adjusted within 360 degrees to always have the optimal viewing angle.

When the start pressure is reached, the pump is started and kept running as long as the pressure manager senses a flow.

The pressure manager has an electronic interface with LED indicators, which shows the status for power on, pump running, and alarm indication.

The pressure manager incorporates functions for pump and installation protection.

These functions are dry running protection, cycling alarm, and maximum continuous operation time of 30 minutes. A non-return valve for backflow prevention is already integrated.

The pressure manager can be optimised for operation with a large external pressure tank by enabling the 1 bar differential pressure function.

This significantly reduces the number of operating hours of the pump in installations with a pressure tank.

Additionally, the pressure manager features an LED pressure indication.

Pressure managers are available as a stand-alone solution for a new or retrofit installation, or as part of a Grundfos domestic water solution.

Controls:

Dry running protection: YES

Liquid:

Liquid temperature range: 0 .. 40 °C

Technical:

Return valve: YES

Tank volume: 0.1 l

Installation:

Maximum ambient temperature: 50 °C

Inlet connect: G1"

Outlet connect: G1"



Company name:

Created by:

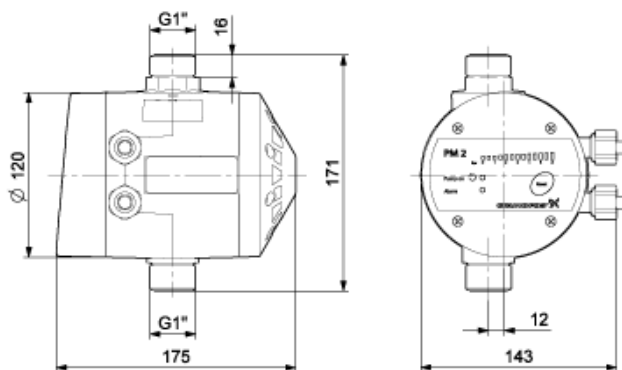
Phone:

Date:

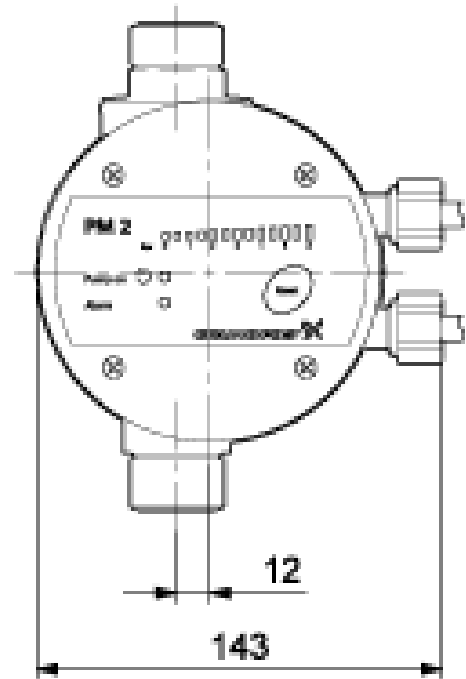
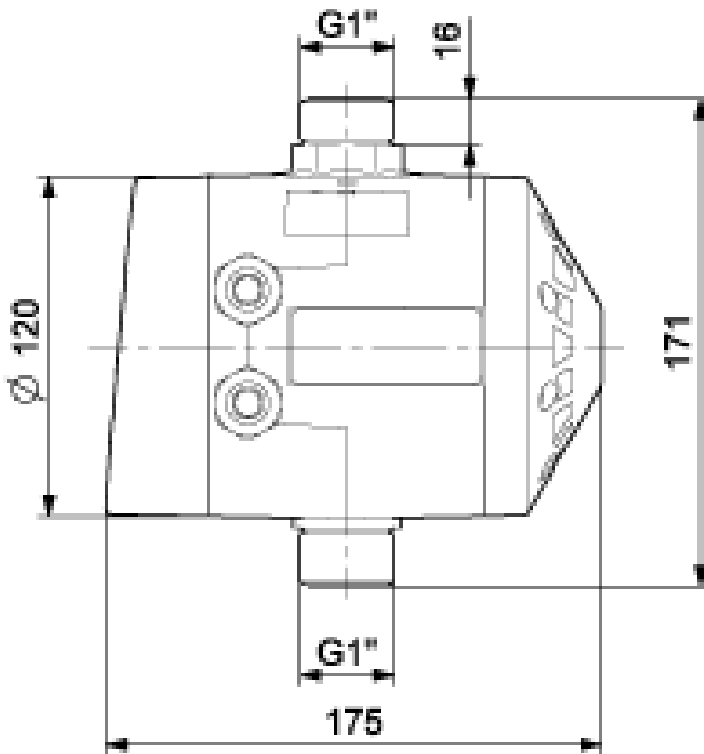
16/04/2019

Qty.	Description
	<p>Inlet thread: External Outlet thread: External Pres. Read-out: YES</p> <p>Electrical data: P1 max.: 2000 W Mains frequency: 50 Hz Rated voltage: 1 x 220-240 V I MAX: 10 A Enclosure class (IEC 34-5): IP65</p> <p>Others: Net weight: 1 kg Gross weight: 1.85 kg Shipping volume: 0.01 m³ Approvals: CE,C-TICK,EAC,WEEE Country of origin: GB Custom tariff no.: 85371098</p>

Description	Value
General information:	
Product name:	PM 2
Product No:	96848738
EAN number:	5700311918753
Technical:	
Return valve:	YES
Tank volume:	0.1 l
Installation:	
Maximum ambient temperature:	50 °C
Cut-in pressure:	1.5 - 5 bar
Inlet connect:	G1"
Outlet connect:	G1"
Inlet thread:	External
Outlet thread:	External
Pres. Read-out:	YES
Liquid:	
Liquid temperature range:	0 .. 40 °C
Electrical data:	
P1 max.:	2000 W
Mains frequency:	50 Hz
Rated voltage:	1 x 220-240 V
I MAX:	10 A
Enclosure class (IEC 34-5):	IP65
Controls:	
Dry running protection:	YES
Others:	
Net weight:	1 kg
Gross weight:	1.85 kg
Shipping volume:	0.01 m ³
Approvals:	CE,C-TICK,EAC,WEEE
Country of origin:	GB
Custom tariff no.:	85371098



96848738 PM 2 50 Hz



Note! All units are in [mm] unless others are stated.
Disclaimer: This simplified dimensional drawing does not show all details.