

1100 Series 1106D-E70TAG2 Diesel Engine – Electropak

157 kWm prime power / 166 kWm standby power @ 1800 rpm

Building upon Perkins proven reputation within the power generation industry, the 1100 Series range of Electropak engines now fit even closer to customers needs.

In the world of power generation success is only gained by providing more for less. With the 1106D-E70TAG2 Perkins has engineered even higher levels of reliability, yet lowered the cost of ownership.

1100A units are designed for territories that do not require compliance to EPA or EU emissions legislation. These engines are assembled around optimal, efficient manufacturing processes with state-of-the-art technology. They are built to provide the exact power solution for customers who sell their applications into lesser regulated countries.

Focusing on our common platform theme, changes to engine envelope dimensions and connection points have been kept to a minimum.



| Specification | | |
|----------------------------|------------------------------------|---------------------|
| Number of cylinders | 6 vertical in-line | |
| Bore and stroke | 105 x 135 mm | 4.13 x 5.31 in |
| Displacement | 7.01 litres | 428 in ³ |
| Aspiration | Turbocharged aftercooled | |
| Cycle | 4 stroke | |
| Combustion system | Direct injection | |
| Compression ratio | 16.8:1 | |
| Rotation | Anti-clockwise, viewed on flywheel | |
| Total lubricating capacity | 16.5 litres | 4.36 US gal |
| Cooling system | Liquid | |
| Total coolant capacity | 21 litres | 5.5 US gal |

www.perkins.com

Photographs are for illustrative purposes only and may not reflect final specification. All information in this document is substantially correct at time of printing and may be altered subsequently. Final weight and dimensions will depend on completed specification.

Publication No. PN3071B/12/14 Produced in England ©2014 Perkins Engines Company Limited

 **Perkins**[®]

THE HEART OF EVERY GREAT MACHINE

1100 Series 1106D-E70TAG2 Diesel Engine – Electropak

157 kWm prime power / 166 kWm standby power @ 1800 rpm

Features and benefits

Dependable power

- The Perkins® 1106D-E70TAG2 delivers up to 157 kVA standby at 50 Hz and 143 kWe at 60 Hz, providing greater productivity through an improved power to weight ratio
 - This world-class power density has been achieved in a 7 litre engine, using an electronic fuel injection system; making this engine robust for all markets, with the ability to cope with the variation of fuel qualities around the world
- The 1106D has been designed for excellent load acceptance to ensure your facility is powered quickly at all conditions

Low operating costs

- Service intervals are set at 500 hours as standard assuming approved fuels and lubrication oils are used
- **Warranties and Service Contracts**
We provide one-year warranties for constant speed engines and two-year warranties for variable speed models, as standard. These are supported by multilevel Extended Service Contracts that can be bought additionally
Discover more: www.perkins.esc

World class product support

- Through an experienced global network of distributors and dealers, fully trained engine experts deliver total service support around the clock, 365 days a year. They have a comprehensive suite of web based tools at their finger tips, covering technical information, parts identification and ordering systems, all dedicated to maximising the productivity of your engine
- Perkins actively pursues product support excellence by insisting our distribution network invest in their territory to provide you with a consistent quality of support across the globe
- Throughout the entire life of a Perkins engine, we provide access to genuine OE specification parts giving 100% reassurance that you receive the very best in terms of quality for lowest possible cost... wherever your Perkins powered machine is operating in the world
- To find your local distributor: www.perkins.com/distributor

www.perkins.com

Photographs are for illustrative purposes only and may not reflect final specification.
All information in this document is substantially correct at time of printing and may be altered subsequently.
Final weight and dimensions will depend on completed specification.

Publication No. PN3071B/12/14 Produced in England ©2014 Perkins Engines Company Limited

 **Perkins®**

THE HEART OF EVERY GREAT MACHINE

1100 Series 1106D-E70TAG2 Diesel Engine – ElectropaK

157 kWm prime power / 166 kWm standby power @ 1800 rpm

Technical information

- Tropical radiator pipes and guards
- Flywheel housing
- Flywheel and starter ring
- Oil filters
- Starter motor
- Air cleaners and brackets
- Lubricating oil sump
- Alternator
- Induction manifolds
- Exhaust manifolds
- Fuel filter
- Cold start aid
- Engine mountings

www.perkins.com

Photographs are for illustrative purposes only and may not reflect final specification.
All information in this document is substantially correct at time of printing and may be altered subsequently.
Final weight and dimensions will depend on completed specification.

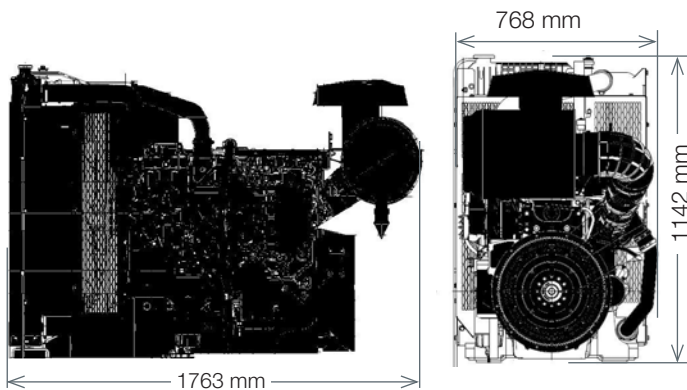
Publication No. PN3071B/12/14 Produced in England ©2014 Perkins Engines Company Limited

 **Perkins**[®]

THE HEART OF EVERY GREAT MACHINE

1100 Series 1106D-E70TAG2 Diesel Engine – ElectropaK

157 kWm prime power / 166 kWm standby power @ 1800 rpm



| Engine package weights and dimensions | | |
|---------------------------------------|---------|---------|
| Length with air cleaner | 1763 mm | 69.4 in |
| Width | 768 mm | 30.2 in |
| Height | 1142 mm | 45 in |
| Weight (dry) | 788 kg | 1737 lb |

www.perkins.com

Photographs are for illustrative purposes only and may not reflect final specification.
All information in this document is substantially correct at time of printing and may be altered subsequently.
Final weight and dimensions will depend on completed specification.

Publication No. PN3071B/12/14 Produced in England ©2014 Perkins Engines Company Limited

 **Perkins**[®]

THE HEART OF EVERY GREAT MACHINE

1100 Series 1106D-E70TAG2 Diesel Engine – Electropak

157 kWm prime power / 166 kWm standby power @ 1800 rpm

| Speed rpm | Type of operation | Typical generator output (Net) | | Engine power | | | |
|-----------|-------------------|--------------------------------|-----|--------------|-----|-----|-----|
| | | | | Gross | | Net | |
| | | kVA | kWe | kWm | hp | kWm | hp |
| 1800 | Prime power | 169 | 135 | 157 | 210 | 148 | 198 |
| | Standby (maximum) | 178 | 143 | 166 | 223 | 157 | 210 |

| Percent of prime power | Fuel consumption at 1800 rpm g/kWh | Fuel consumption at 1800 rpm l/hr |
|------------------------|------------------------------------|-----------------------------------|
| 110% | 212.1 | 43.1 |
| Prime power | 214.6 | 39.7 |
| 75% | 231.4 | 32.1 |
| 50% | 240.3 | 22.2 |
| 25% | 263.9 | 12.2 |