

The FG Wilson sound attenuated enclosures for the range of Perkins powered P350P4 to P450E5 generating sets are a result of continuing research and development by our specialist acoustic engineers. **These enclosures reduce sound levels to comply with the stage 2 levels of the European Community Directive 2000/14/EC which became effective 3 January 2006.**

The fully weatherproof enclosures incorporate internally mounted exhaust silencers and are of extremely rugged construction in order to withstand the rough handling common on many construction sites. They are designed on modular principles with many interchangeable components permitting on-site repair.

Robust/Highly Corrosion Resistant Construction

- ▶ Black finish stainless steel locks and hinges
- ▶ Zinc plated or stainless steel fasteners
- ▶ Body made from steel components treated with polyester powder coating

Excellent Access for Maintenance

- ▶ Two large doors on each side
- ▶ Radiator fill access plate
- ▶ Lube oil and cooling water drains piped to exterior of the enclosure

Security and Safety

- ▶ Control panel viewing window in a lockable access door
- ▶ Emergency stop push button (red) mounted on enclosure exterior
- ▶ Cooling fan and battery charging alternator fully guarded
- ▶ Fuel fill and battery can only be reached via lockable access doors
- ▶ Exhaust silencing system totally enclosed for operator safety

Transportability

- ▶ Tested and certified single point lifting facility
- ▶ Lifting points on baseframe

Optional Features

- ▶ Oil field type skid with dragging points and fork lift truck pockets



350 - 450 kVA Range



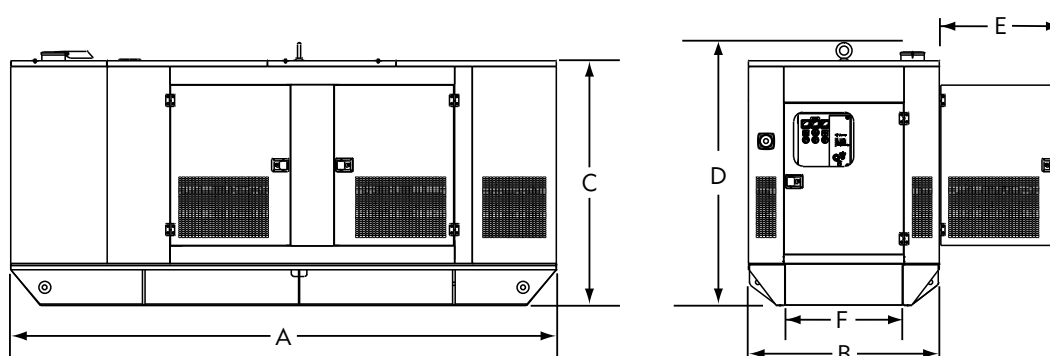
Modular Acoustic Enclosure



Sound Pressure Levels (dBA)

Generating Set Model	LWA	50 Hz						60 Hz					
		15m (50ft)		7m (23ft)		1m (3ft)		15m (50ft)		7m (23ft)		1m (3ft)	
		75% Load	100% Load	75% Load	100% Load	75% Load	100% Load	75% Load	100% Load	75% Load	100% Load	75% Load	100% Load
P350P2*	97	61.6	62.9	67.6	68.9	78.9	80.2	-	-	-	-	-	-
P400E2*	97	62.1	63.8	68.1	69.8	79.4	81.1	-	-	-	-	-	-
P400P2*	98	62.1	63.8	68.1	69.8	79.4	81.1	-	-	-	-	-	-
P450E2*	98	62.7	64.8	68.7	70.8	80.0	82.1	-	-	-	-	-	-
P350P3*	97	61.6	62.9	67.6	68.9	78.9	80.2	66.0	66.9	72.0	72.9	83.3	83.6
P400E3*	97	62.1	63.8	68.1	69.8	79.4	81.1	66.2	67.4	72.2	73.4	83.4	83.7
P400P3*	98	62.1	63.8	68.1	69.8	79.4	81.1	66.2	67.4	72.2	73.4	83.4	83.7
P450E3*	98	62.7	64.8	68.7	70.8	80.0	82.1	66.6	68.4	72.6	74.4	83.5	83.8
P350P4	97	61.7	62.4	67.7	68.4	78.5	79.4	-	-	-	-	-	-
P400E4	97	62.0	62.7	68.0	68.7	78.9	79.9	-	-	-	-	-	-
P400P4	97	62.0	62.7	68.0	68.7	78.9	79.9	-	-	-	-	-	-
P450E4	97	62.3	62.8	68.3	68.8	79.3	80.4	-	-	-	-	-	-
P350P5	97	61.9	62.8	67.9	68.8	78.2	79.2	64.2	64.8	70.2	70.8	80.5	81.0
P400E5	97	62.3	63.2	68.3	69.2	78.6	79.8	64.3	65.0	70.3	71.0	80.6	81.1
P400P5	97	62.3	63.2	68.3	69.2	78.6	79.8	64.3	65.0	70.3	71.0	80.6	81.1
P450E5	97	62.7	63.5	68.7	69.5	79.1	80.3	64.6	65.5	70.6	71.5	80.8	81.5

Levels in accordance with European Noise Directive (2000/14/EC)
*2306 Series.



Dimensions and Weights

Generating Set Model	A: mm (in)	B: mm (in)	C: mm (in)	D: mm (in)	E:* mm (in)	F: mm (in)	Weight: kg (lb)	Fuel Capacity: l (US gal)
P350P2/P400E2	4564 (179.7)	1600 (63.0)	2050 (80.7)	2150 (84.6)	1010 (39.7)	1010 (39.7)	4890 (10781)	820 (217)
P400P2/P450E2	4564 (179.7)	1600 (63.0)	2050 (80.7)	2150 (84.6)	1010 (39.7)	1010 (39.7)	4890 (10781)	820 (217)
P350P3/P400E3	4564 (179.7)	1600 (63.0)	2050 (80.7)	2150 (84.6)	1010 (39.7)	1010 (39.7)	5027 (11083)	820 (217)
P400P3/P450E3	4564 (179.7)	1600 (63.0)	2050 (80.7)	2150 (84.6)	1010 (39.7)	1010 (39.7)	5027 (11083)	820 (217)
P350P4/ P400E4	4760 (187.4)	1620 (63.8)	2135 (84.1)	2231 (87.8)	1007 (39.6)	1107 (43.6)	4435 (9777)	877 (232)
P400P4/ P450E4	4760 (187.4)	1620 (63.8)	2135 (84.1)	2231 (87.8)	1007 (39.6)	1107 (43.6)	4580 (10097)	877 (232)
P350P5/ P400E5	4760 (187.4)	1620 (63.8)	2135 (84.1)	2231 (87.8)	1007 (39.6)	1107 (43.6)	4435 (9777)	877 (232)
P400P5/ P450E5	4760 (187.4)	1620 (63.8)	2135 (84.1)	2231 (87.8)	1007 (39.6)	1107 (43.6)	4580 (10097)	877 (232)

Weight with lube oil, no coolant, no fuel; * Clearance required on both sides



FG Wilson has manufacturing facilities in the following locations:

Northern Ireland • Brazil • China • India • USA

With headquarters in Northern Ireland, FG Wilson operates through a Global Dealer Network. To contact your local Sales Office please visit the FG Wilson website at

www.FGWilson.com

