



www.FGWilson.com

P250H2/P275HE2



Image for illustration purposes only.

Output Ratings

Generating Set Model	Prime*	Standby*
380-415V,50Hz	250.0 kVA / 200.0 kW	275.0 kVA / 220.0 kW
	- / -	- / -

Ratings at 0.8 power factor.

Prime Rating

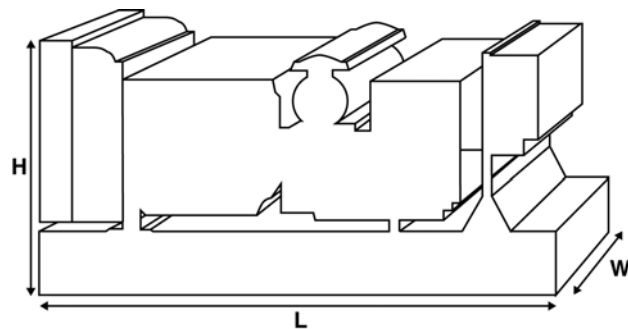
These ratings are applicable for supplying continuous electrical power (at variable load) in lieu of commercially purchased power. There is no limitation to the annual hours of operation and this model can supply 10% overload power for 1 hour in 12 hours.

Standby Rating

These ratings are applicable for supplying continuous electrical power (at variable load) in the event of a utility power failure. No overload is permitted on these ratings. The alternator on this model is peak continuous rated (as defined in ISO 8528-3).

Standard Reference Conditions

Note: Standard reference conditions 25°C (77°F) Air Inlet Temp, 100m (328 ft) A.S.L. 30% relative humidity.
Fuel consumption data at full load with diesel fuel with specific gravity of 0.85 and conforming to BS2869: 1998, Class A2.



Ratings and Performance Data

Engine Make & Model:	Perkins 1306C-E87TAG6	
Alternator manufactured for FG Wilson by:	Leroy Somer	
Alternator Model:	LL5014J	
Control Panel:	PowerWizard 1.1	
Base Frame:	Heavy Duty Fabricated Steel	
Circuit Breaker Type:	3 Pole MCCB	
Frequency:	50 Hz	60 Hz
Engine Speed: RPM	1500	-
Fuel Tank Capacity: litres (US gal)	350 (92.5)	
Fuel Consumption: l/hr (US gal/hr)		
(100% Load)	- Prime	53.3 (14.1) -
	- Standby	58.1 (15.3) -

Available Options

FG Wilson offer a range of optional features to tailor our generating sets to meet your power needs. Options include:

- Upgrade to CE Certification
- A wide range of Sound Attenuated Enclosures
- A variety of generating set control and synchronising panels
- Additional alarms and shutdowns
- A selection of exhaust silencer noise levels

For further information on all of the standard and optional features accompanying this product please contact your local Dealer or visit: www.FGWilson.com

Dimensions and Weights

Length (L) mm (in)	Width (W) mm (in)	Height (H) mm (in)	Dry kg (lb)	Wet kg (lb)
2960 (116.5)	1003 (39.5)	1718 (67.6)	2215 (4883)	2252 (4965)
Dry = With Lube Oil		Wet = With Lube Oil and Coolant		

Ratings in accordance with ISO 8528, ISO 3046, IEC 60034, BS5000 and NEMA MG-1/22. Generating set pictured may include optional accessories.

FG Wilson has manufacturing facilities in the following locations:

Northern Ireland • Brazil • China • India • USA

With headquarters in Northern Ireland, FG Wilson operates through a Global Dealer Network.

To contact your local Sales Office please visit the FG Wilson website at www.FGWilson.com

Engine Technical Data

No. of Cylinders / Alignment:	6 / In Line	
Cycle:	4 Stroke	
Bore / Stroke: mm (in)	116.6 (4.6)/135.9 (5.4)	
Induction:	Turbocharged Air To Air Charge Cooled	
Cooling Method:	Water	
Governing Type:	Electronic	
Governing Class:	ISO 8528 G2	
Compression Ratio:	16.9:1	
Displacement: l (cu. in)	8.7 (530.9)	
Moment of Inertia: kg m ² (lb/in ²)	1.54 (5266)	
Engine Electrical System:		
- Voltage / Ground	24/Negative	
- Battery Charger Amps	45	
Weight: kg (lb)	- Dry	671 (1479)
	- Wet	698 (1539)

Performance

	50 Hz	60 Hz
Engine Speed: rpm	1500	-
Gross Engine Power: kW (hp)		
- Prime	228.5 (306.0)	-
- Standby	250.9 (336.0)	-
BMEP: kPa (psi)		
- Prime	2099.0 (304.5)	-
- Standby	2306.0 (334.4)	-

Fuel System

Fuel Filter Type:	Replaceable Element			
Recommended Fuel:	Class A2 Diesel			
Fuel Consumption: l/hr (US gal/hr)				
	110%	100%	75%	50%
Prime	Load	Load	Load	Load
50 Hz	58.1 (15.3)	53.3 (14.1)	42.1 (11.1)	31.7 (8.4)
60 Hz	-	-	-	-
	110%	100%	75%	50%
Standby	Load	Load	Load	Load
50 Hz	58.1 (15.3)	45.4 (12.0)	33.8 (8.9)	
60 Hz	-	-	-	

(Based on diesel fuel with a specific gravity of 0.84 and conforming to BS2869, Class A2)

Air Systems

	50 Hz	60 Hz
Air Filter Type:	Paper Element	
Combustion Air Flow: m ³ /min (cfm)		
- Prime	16.4 (579)	-
- Standby	16.4 (579)	-
Max. Combustion Air Intake Restriction: kPa (in H ₂ O)	6.2 (25.0)	-

Cooling System

	50 Hz	60 Hz
Cooling System Capacity: l (US gal)	45.3 (12.0)	-
Water Pump Type:	Centrifugal	
Heat Rejected to Water & Lube Oil:		
kW (Btu/min)	- Prime	103.0 (5858)
	- Standby	110.0 (6256)
Heat Radiation to Room: Heat radiated from engine and alternator		
kW (Btu/min)	- Prime	54.3 (3088)
	- Standby	60.3 (3429)
Radiator Fan Load: kW (hp)	10.3 (13.8)	-
Radiator Cooling Airflow: m ³ /min (cfm)	424.2 (14980)	-
External Restriction to Cooling Airflow: Pa (in H ₂ O)	125 (0.5)	-

Designed to operate in ambient conditions up to 50°C (122°F). Contact your local FG Wilson Dealer for power ratings at specific site conditions.

Lubrication System

Oil Filter Type:	Spin-On, Full Flow	
Total Oil Capacity: l (US gal)	26.4 (7.0)	
Oil Pan: l (US gal)	22.7 (6.0)	
Oil Type:	API CI-4	
Oil Cooling Method:	Water	

Exhaust System

	50 Hz	60 Hz
Silencer Type:	Industrial	
Silencer Model & Quantity:	SD100 (1)	
Pressure Drop Across Silencer System: kPa (in Hg)	8.70 (2.569)	-
Silencer Noise Reduction Level: dB	12	-
Maximum Allowable Back Pressure: kPa (in Hg)	10.7 (3.2)	-
Exhaust Gas Flow: m ³ /min (cfm)		
- Prime	44.5 (1572)	-
- Standby	44.5 (1572)	-
Exhaust Gas Temperature: °C (°F)		
- Prime	500 (932)	-
- Standby	528 (982)	-

Documentation

A full set of operation and maintenance manuals and circuit wiring diagrams.

Generating Set Standards

The equipment meets the following standards: BS5000, ISO 8528, ISO 3046, IEC 60034, NEMA MG-1.22.

FG Wilson is a fully accredited ISO 9001 company.

EU Stage II Emissions Compliant.

Warranty

All prime equipment carries a one year manufacturer's warranty. Standby equipment, limited to 500 running hours per year, has a two year manufacturer's warranty. For details on warranty cover please contact your local Dealer, or visit our website: FGWilson.com.

Dealer contact details:

FG Wilson has manufacturing facilities in the following locations:

Northern Ireland • Brazil • China • India • USA

With headquarters in Northern Ireland, FG Wilson operates through a Global Dealer Network.

To contact your local Sales Office please visit the FG Wilson website at www.FGWilson.com